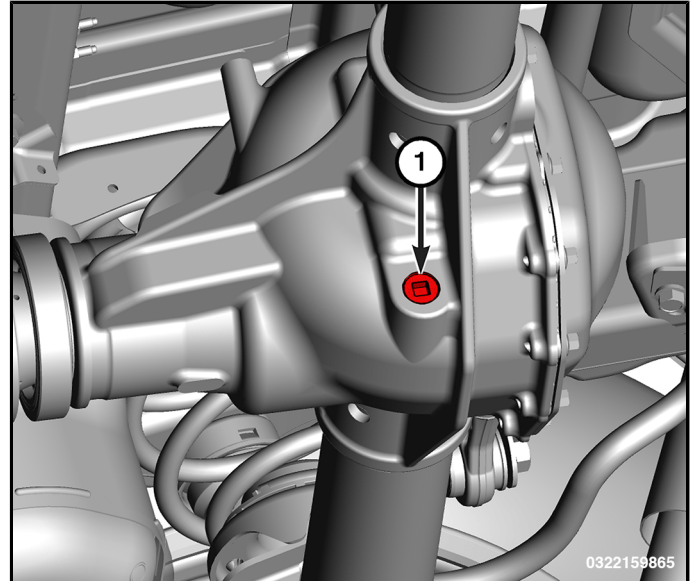


DRAIN AND FILL

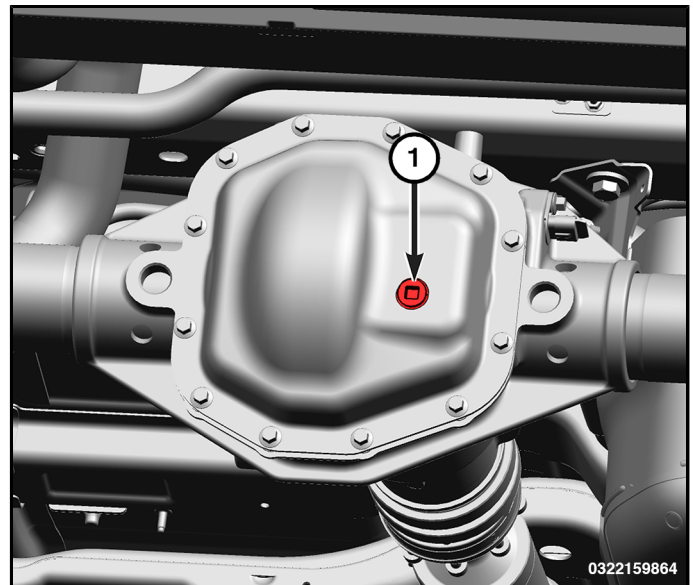
DRAIN

1. Remove differential drain plug (1).
2. Drain fluid into a suitable container and dispose of properly.
3. After all fluid is drained, clean sealing surface and install drain plug to (Torque Specifications).



FILL

1. Remove fill plug (1).
2. With the axle level, fill carrier with lubricant (Refer to 04 - Vehicle Quick Reference/Capacities and Recommended Fluids/Specifications).
3. Install fill plug, and torque to (Torque Specification).



FILL

1. Remove fill plug (1).
2. With the axle level, fill carrier with lubricant (Refer to 04 - Vehicle Quick Reference/Capacities and Recommended Fluids/Specifications).
3. Install fill plug, and torque to (Torque Specification).

