

07 - Cooling/Engine/RADIATOR, Engine Cooling/Removal and Installation

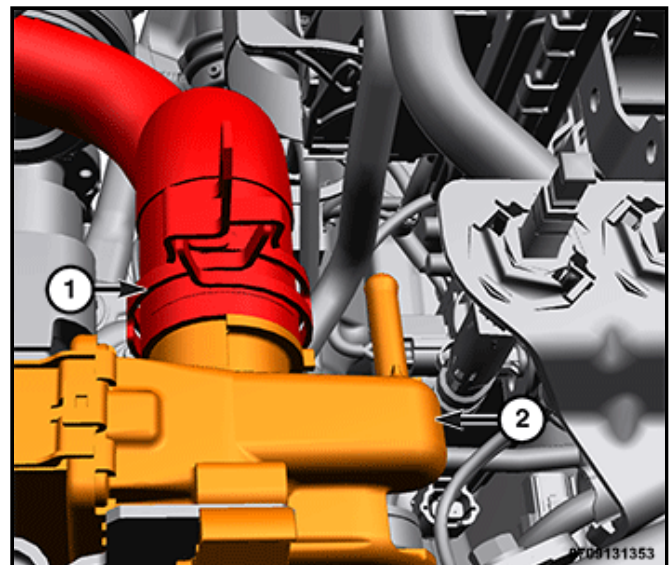
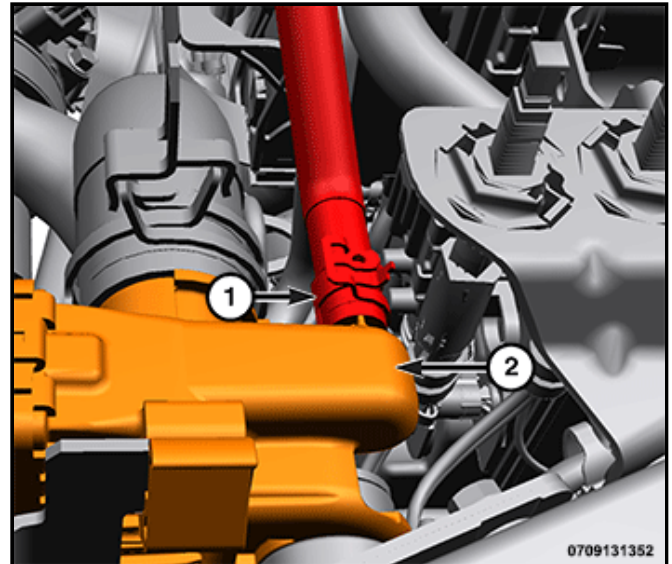
REMOVAL AND INSTALLATION

Labor Operations: Click to hide the list of LOPs associated with this procedure

Primary LOP	Related LOP	Description	Skill Level	Skill Category
07203008	-	Shroud, radiator fan Close out	1 - Semi Skilled	1
07203023	-	Shroud, radiator fan Upper air duct 2.0 liter DI gas engine	1 - Semi Skilled	1
07203024	-	Shroud, radiator fan Lower air duct - 2.0 liter DI gas engine	1 - Semi Skilled	1
07203027	-	Shroud, radiator fan 3.0L TD engine	1 - Semi Skilled	10
073010P1	-	Radiator 3.6 liter engine	1 - Semi Skilled	7
07301004	-	Radiator 2.0 liter DI gas engine	1 - Semi Skilled	7
07301030	-	Radiator 3.0 liter diesel engine	1 - Semi Skilled	10

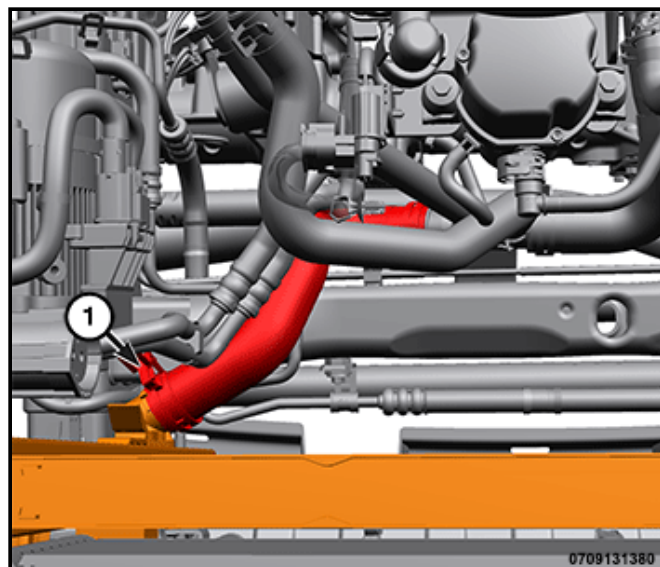
REMOVAL

1. Drain the cooling system (Refer to 07 - Cooling - Standard Procedure) .
2. Remove the cooling fan (Refer to 07 - Cooling/Engine/FAN, Cooling/Removal and Installation) .
3. Remove the coolant hose (1) from the upper left side of radiator (2).



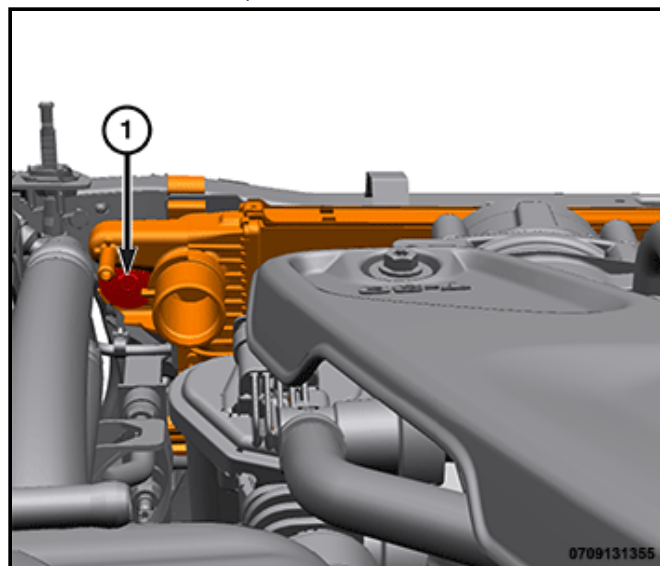
4. Remove the upper radiator hose (1) from the radiator (2).

5. Remove the lower radiator hose clamp and hose (1) from the radiator. Position the hose aside.

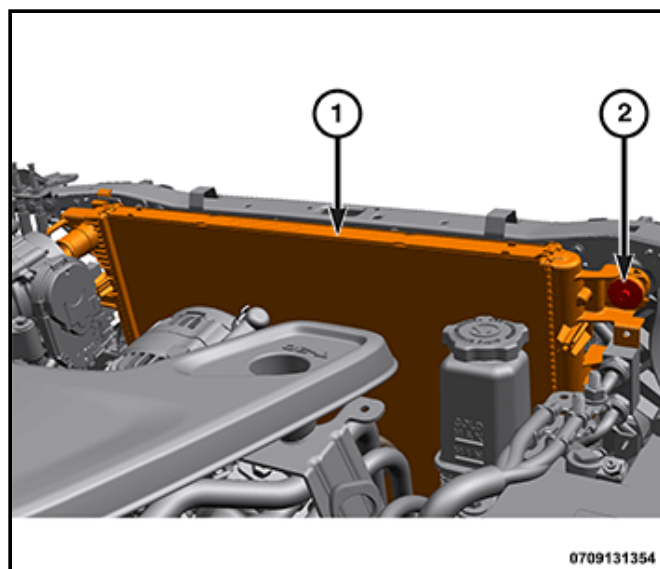


6. Remove the grille (Refer to 23 - Body/Exterior/GRILLE/Removal and Installation) .

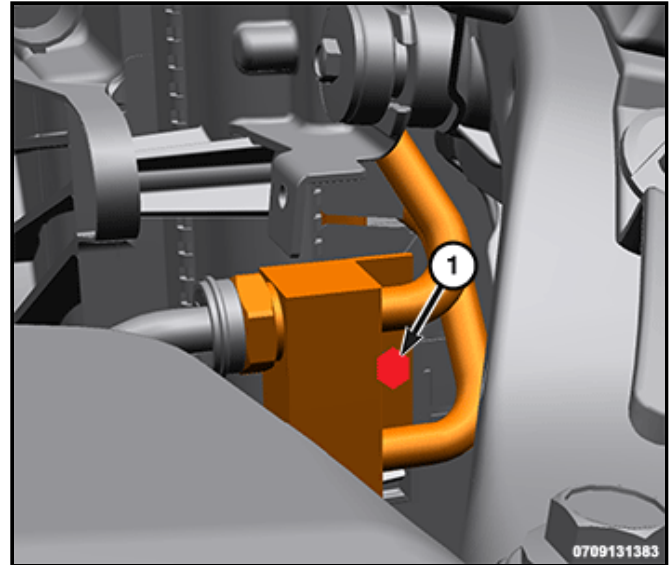
7. Remove the left upper radiator retaining bolts (1).



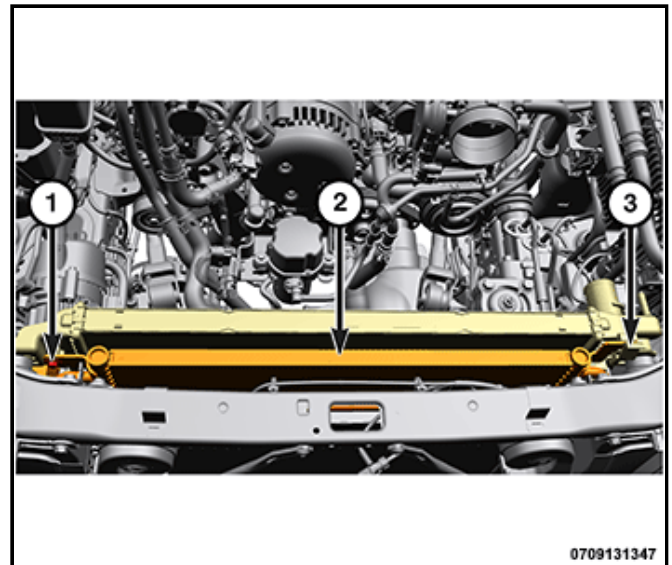
8. Remove the right upper radiator bolt (2).



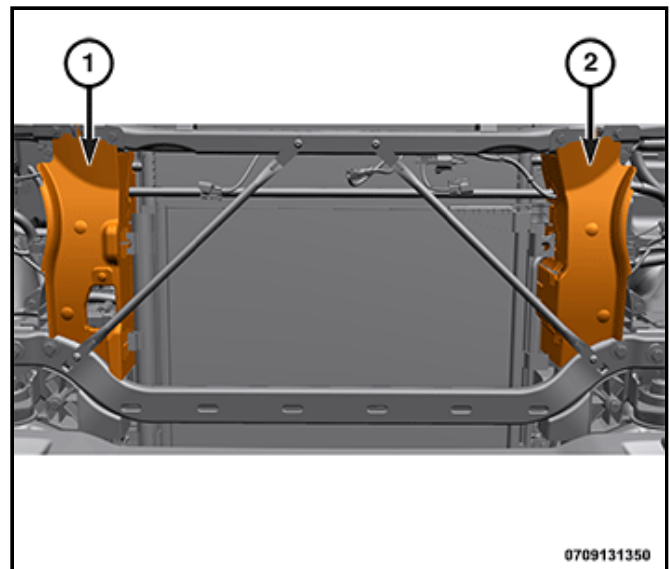
9. Tilt the radiator inward to gain access to the transmission cooler.
10. Remove the right headlight unit (Refer to 08 - Electrical/Lamps/Lighting - Exterior/UNIT, Headlamp/Removal and Installation) .
11. Working from the right front, remove the bolt (1) securing the transmission cooler manifold to the radiator.



12. Working from the front, remove the left transmission cooler bolt (1), release the right tab (3) and lift up cooler (3) to separate it from the radiator.

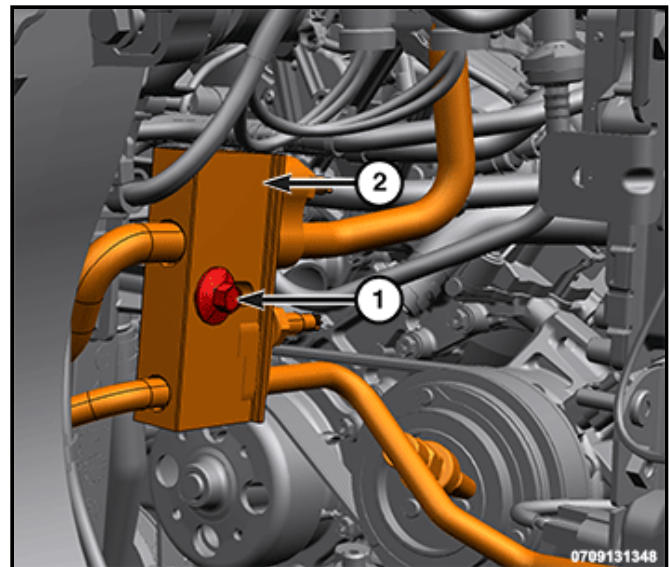


13. Working from the front remove the left side (2) and right side (1) radiator air deflectors.



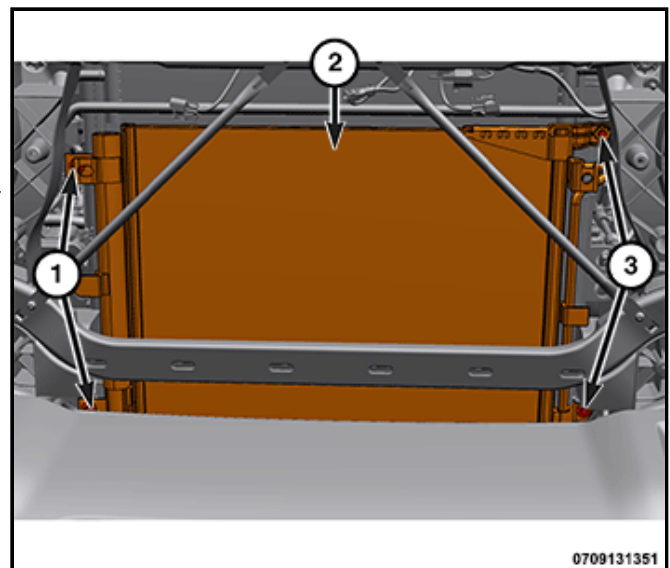
14. Remove the left headlight unit (Refer to 08 - Electrical/Lamps/Lighting - Exterior/UNIT, Headlamp/Removal and Installation) .

15. Remove the left side A/C condenser manifold (2) bolts (1) from the front side of the radiator.

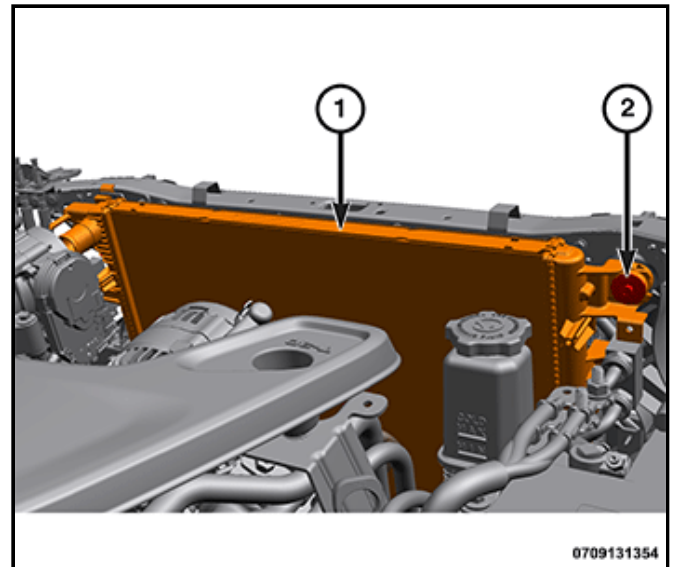


16. Working from the front, remove the right side A/C condenser bolts (1).

17. Working from the front, remove the left side A/C condenser bolts (3) and separate the A/C condenser (2) from the radiator.

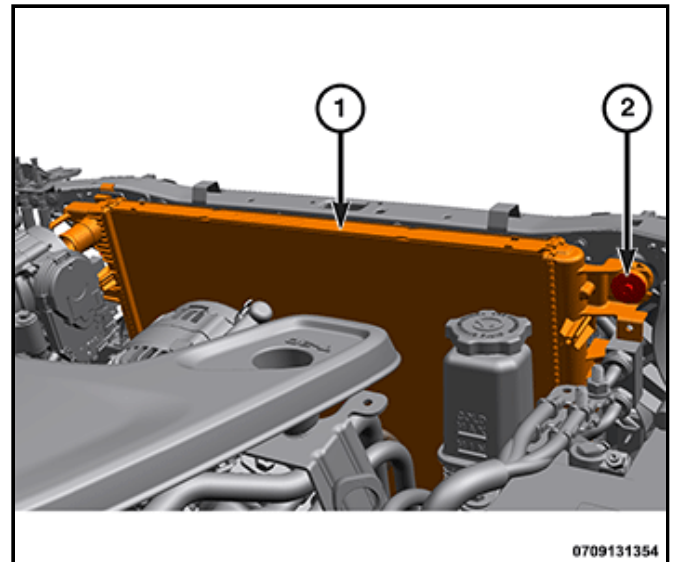


18. Carefully lift up on the radiator (1) and remove it from the vehicle.

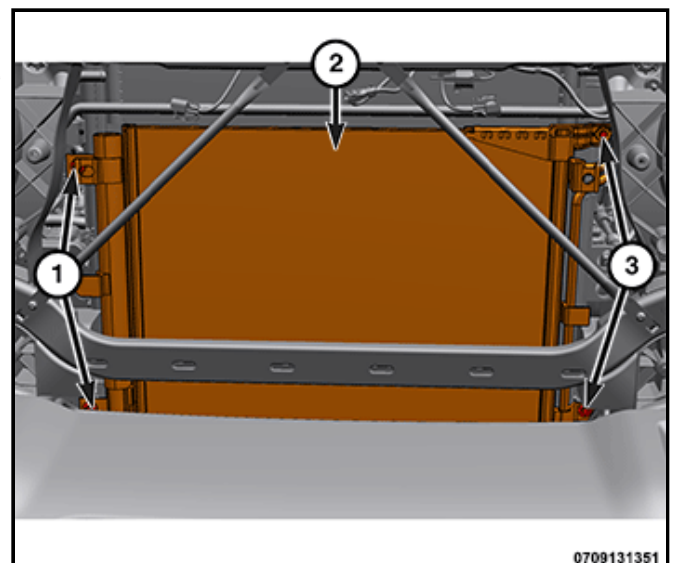


INSTALLATION

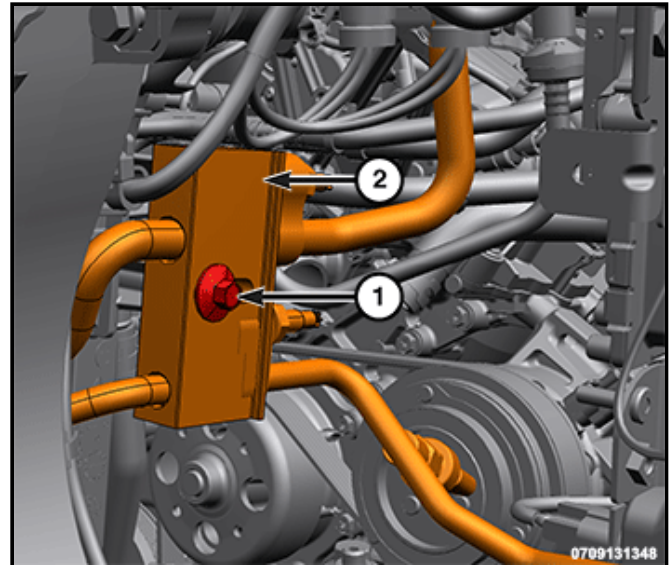
1. Install the radiator (1) in place and engage the lower mounts.



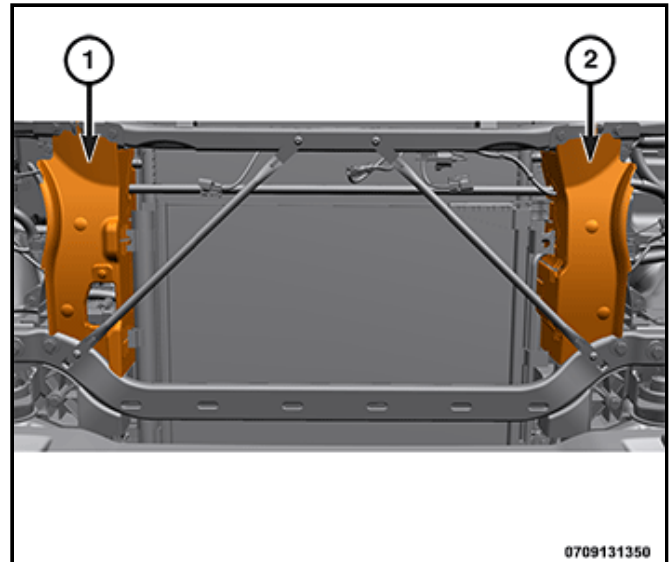
2. Install the A/C condenser (2) to the radiator and tighten the left side bolts (3) to the proper (Torque Specifications) .
3. Install the right side A/C condenser bolts (1) and tighten to the proper (Torque Specifications) .



4. Install the left side A/C condenser manifold (2) bolt (1) and tighten to the proper (Torque Specifications) .

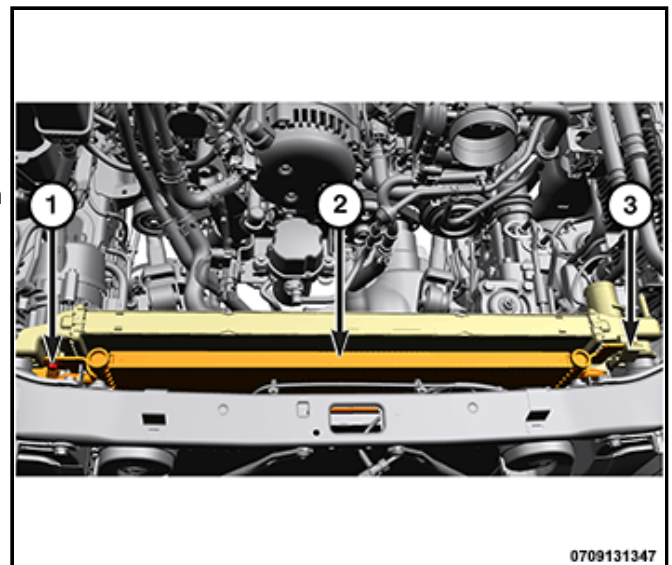


5. Working from the front install the right side (1) and left side (2) radiator air deflectors.

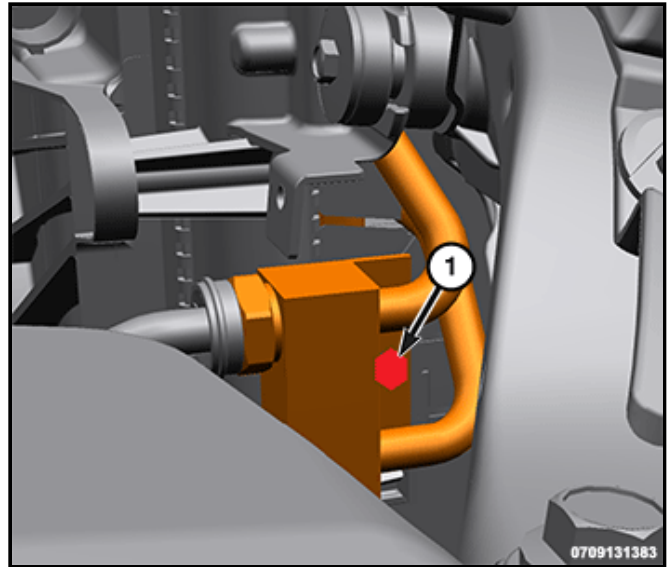


6. Position the transmission cooler (2) on the radiator (2) and engage the left side tab (3).

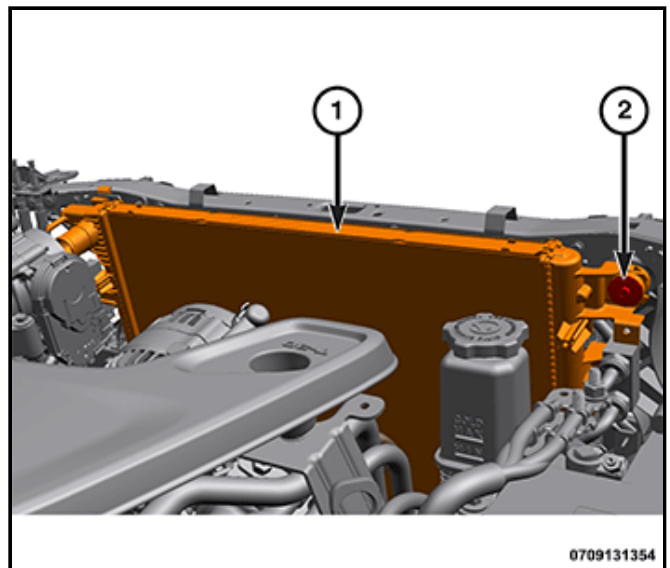
7. Install the right side transmission cooler bolt (1) and tighten to the proper (Torque Specifications) .



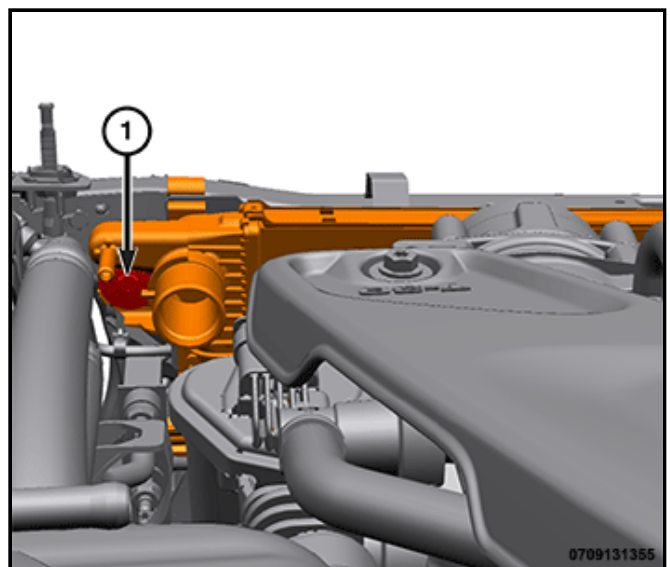
8. Working from the right front, install the transmission cooler manifold bolt and tighten to the proper (Torque Specifications) .



9. Position the radiator (1) to the support and install the right bolt (2) and tighten to the proper (Torque Specifications) .

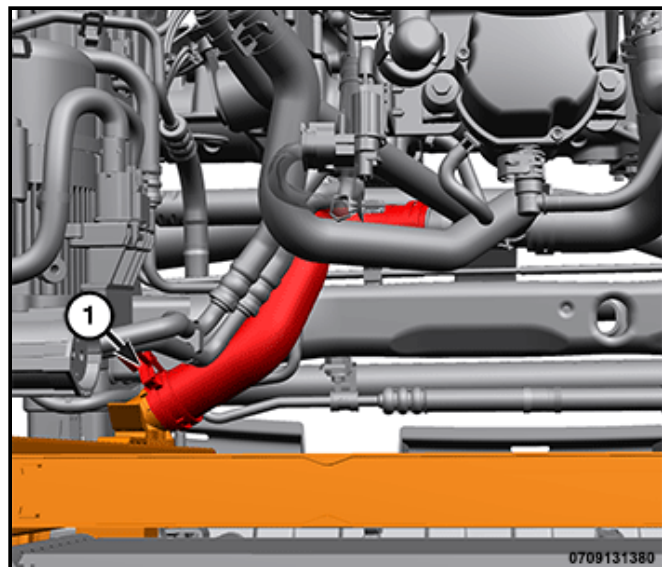


10. Install the left the radiator bolt (1) and tighten to the proper (Torque Specifications) .

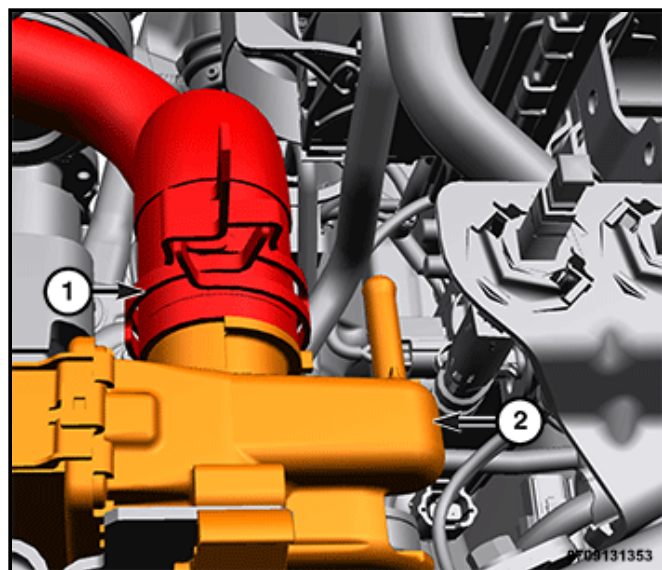


11. Install the grille (Refer to 23 - Body/Exterior/GRILLE/Removal and Installation) .

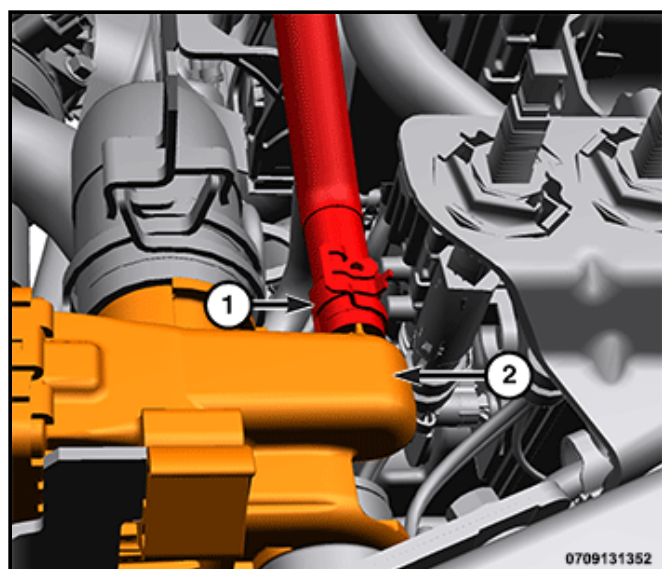
12. Install the lower radiator hose (1).



13. Install the upper radiator hose (1) to the radiator (2).



14. Install the coolant hose (1) to the upper left side of radiator (2).



15. Install the cooling fan (Refer to 07 - Cooling/Engine/FAN, Cooling/Removal and Installation) .

16. Fill the cooling system (Refer to 07 - Cooling - Standard Procedure) .