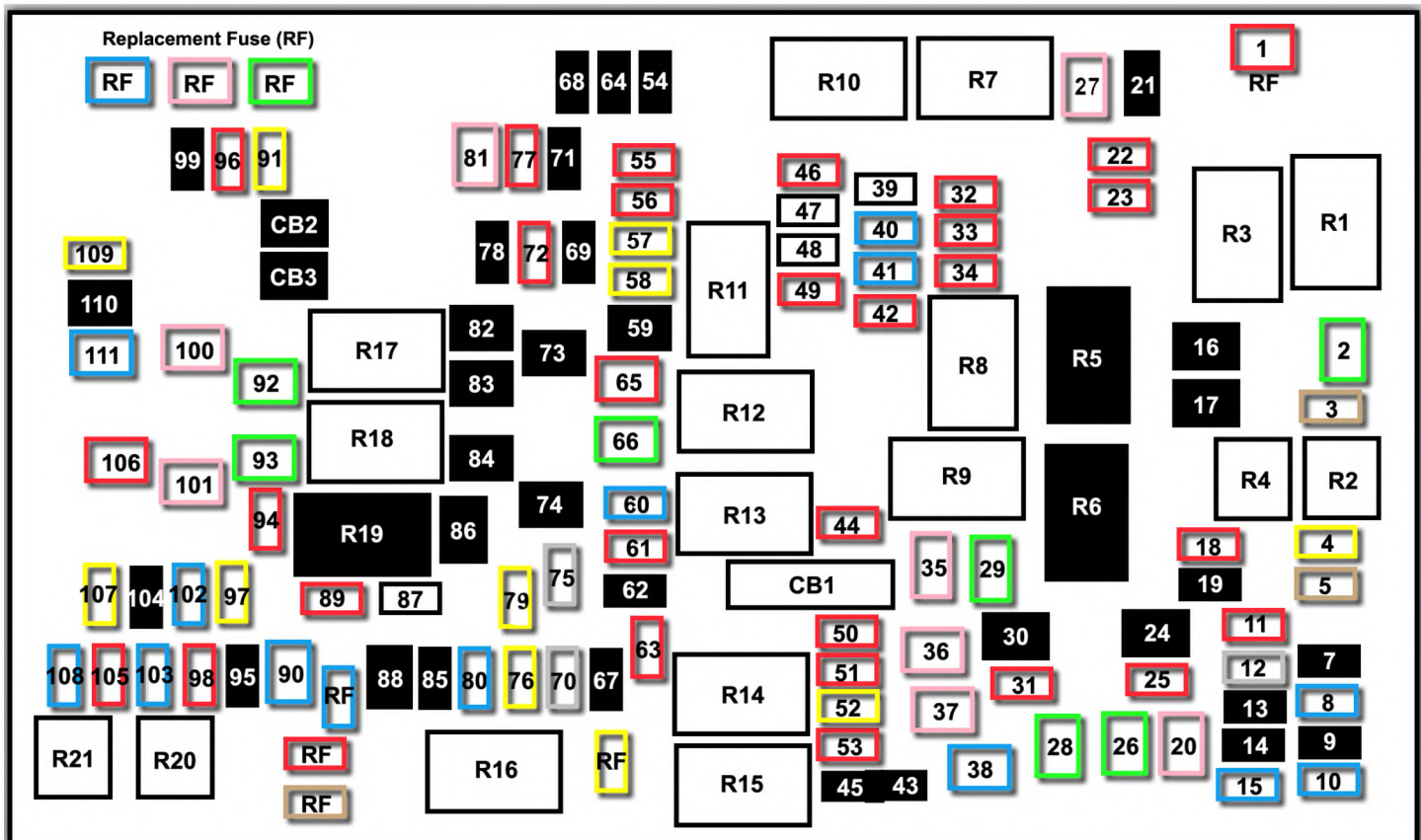


2021 Jeep Gladiator Rubicon w/Engine: 3.6L V6 24V VVT Engine w/ESS, Trailer-Tow Package, Cold Weather Group, Premium LED Lighting Group, Jeep Active Safety Group, Auxiliary Switch Group, 8-Speed Automatic 850RE Transmission, Alpine Premium Audio System, Wireless Bluetooth Speaker



* = IF EQUIPPED

Loc.	Size	Type	Description
F01	50A	Cartridge	SPARE*
F02	40A	Cartridge	STARTER
F03	5A	Micro	IBS - <i>Intelligent Battery Sensor</i>
F04	20A	Micro	FUEL PMP MTR/FPCM - <i>Fuel Pump Motor/Fuel Pump Control Module</i>
F05	5A	Micro	SECURITY GATEWAY
F06	N	Micro	SPARE*
F07	N	Micro	SPARE*
F08	15A	Micro	TCM - 8HP CYGNUS - <i>Transmission Control Module</i>
F09	N	Micro	SPARE*
F10	15A	Micro	KIN/RF HUB/ESCL - <i>Key Ignition Node/Radio Frequency Hub/Electric Steering Column Lock</i>
F11	10A	Micro	UCI PORT (USB & AUX)
F12	25A	Micro	HIFI AMPLIFIER
F13	N	Micro	SPARE*
F14	N	Micro	SPARE*
F15	15A	Micro	IPC/SWITCH BANK - HD ELEC - <i>Instrument Panel Cluster/Switch Bank-Heavy Duty Electrical Pkg</i>
F16	N	Cartridge	SPARE*
F17	N	Cartridge	SPARE*
F18	10A	Micro	AC CLUTCH - <i>Air Conditioning Clutch</i>
F19	N	Micro	SPARE*
F20	30A	Cartridge	CBC 1 - INTERIOR LIGHTS - <i>Central Body Controller</i>
F21	N	Micro	SPARE*
F22	10A	Micro	ECM/PCM - <i>Engine Control Module/Powertrain Control Module</i>
F23	10A	Micro	ECM/PCM - <i>Engine Control Module/Powertrain Control Module</i>
F24	N	Cartridge	SPARE*
F25	10A	Micro	MOD_SBW - <i>Module Shift By Wire</i>
F26	40A	Cartridge	CBC 2 - EXTERIOR LIGHTS #1 - <i>Central Body Controller</i>
F27	30A	Cartridge	FRT WIPER - <i>Front Wipers</i>
F28	40A	Cartridge	CBC 3 - POWER LOCKS - <i>Central Body Controller</i>
F29	40A	Cartridge	CBC 4 - EXTERIOR LIGHTS #2 - <i>Central Body Controller</i>
F30	N	Cartridge	SPARE*
F31	10A	Micro	DIAGNOSTIC PORT
F32	10A	Micro	HVAC CTRL MOD/SCL/OCM/DPDM - <i>Heating Ventilation Air Conditioning Module/Steering Column Lock/Occupant Classification Module/Driver Presence Detection Module</i>

F33	10A	Micro	PTS/IRCM/AIRBAG DISABLE LMPS - <i>ParkTronics System/Infrared Camera Module/Airbag Disable Lamps</i>
F34	10A	Micro	ESC/EHPS/SBCM WAKE UP - <i>Electronic Stability Control/Electric Hydraulic Power Steering/Smart Bar Control Module</i>
F35	30A	Cartridge	BRAKE VAC PMP* - <i>Brake Vacuum Pump</i>
F36	30A	Cartridge	TRLR TOW ELEC BRK MOD* - <i>Electric Brake Module</i>
F37	30A	Cartridge	TRLR TOW CONN 7W* - <i>Trailer Tow Connector</i>
F38	20A	Cartridge	ECM - <i>Engine Control Module</i>
F39	N	Micro	SPARE*
F40	15A	Micro	DTCM/AXLE LOCK FT_RR – <i>DriveTrain Control Module/Axle Lock</i>
F41	15A	Micro	IC/SGW WAKE UP - <i>Instrument Cluster/Security GateWay</i>
F42	10A	Micro	PCR CTRL FEED (ESS)* - <i>Power Control Relay Control Feed</i>
F43	N	Micro	SPARE*
F44	10A	Micro	IRCAM HEATERS - <i>InfraRed Camera Heaters</i>
F45	N	Micro	SPARE*
F46	10A	Micro	AUTO HDLP LVL MOD/LVL MTR/HDLP SW - <i>Auto Headlamp Leveling Module/Headlamp Leveling Motors/Headlamp Switch</i>
F47	N	Micro	SPARE*
F48	N	Micro	SPARE*
F49	10A	Micro	ORC - <i>Occupant Restraint Controller</i>
F50	10A	Micro	HD ACC* - <i>Heavy Duty Accessory</i>
F51	10A	Micro	USB/ISRVM/COMPASS/MOD/HLRS/INVERTER 400W – <i>USB/InSide RearView Mirror/Compass Module/Humidity Light Rain Sensor/Inverter 400W</i>
F52	20A	Micro	CIGAR LTR - <i>Cigarette Lighter</i>
F53	10A	Micro	WIRELESS SPEAKER*
F54	N	Micro	SPARE*
F55	10A	Micro	CVMP* - <i>Central Vision Processing Module</i>
F56	10A	Micro	IN-CAR TEMP SENSOR/PTC HTR COIL FEED - <i>In Car Temperature Senso/ PTC Heater Coil</i>
F57	20A	Micro	DRIVER HTD SEATS - <i>Front Driver Heated Seat</i>
F58	20A	Micro	PASS HTD SEATS - <i>Front Passenger Heated Seat</i>
F59	N	Cartridge	SPARE*
F60	15A	Micro	CSWM (HTD STR WHEEL) - <i>Comfort Steering Wheel Module (Heated Steering)</i>
F61	10A	Micro	LBSS/RBSS - <i>Left Blind Spot Sensor/Right Blind Spot Sensor</i>
F62	N	Micro	SPARE*
F63	10A	Micro	ORC - <i>Occupant Restraint Controller</i>
F64	N	Micro	SPARE*
F65	50A	Cartridge	POWER INVERTER 400W

F66	40A	Cartridge	HVAC BLOWER MTR FRT - <i>Front Blower Motor</i>
F67	N	Micro	SPARE*
F68	N	Micro	SPARE*
F69	N	Micro	SPARE*
F70	25A	Micro	INJ/IGN COIL (GAS)/GLO PLUG MOD (DSL) – <i>Injectors/Ignition Coils</i>
F71	N	Micro	SPARE*
F72	10A	Micro	HD ELEC ACC PKG*
F73	N	Cartridge	SPARE*
F74	N	Cartridge	SPARE*
F75	25A	Micro	SPARE*
F76	20A	Micro	ECM (GAS)/PCM (DSL) - <i>Engine Control Module</i>
F77	10A	Micro	HTD MIRRORS - <i>Heated Mirrors</i>
F78	N	Micro	SPARE*
F79	20A	Micro	SMART BAR CTRL MOD - <i>Smart Bar Control Module</i>
F80	15A	Micro	PCM/SOL 1 2 BLOCK SHIFT - <i>Powertrain Control Module/Solenoid No.1 & No.2 Block Shift</i>
F81	30A	Cartridge	REAR DEFROSTER (EBL) - <i>Rear Window Defroster</i>
F82	N	Cartridge	FUEL HTR* - <i>Diesel: Fuel Heater [30A Pink]</i>
F83	N	Cartridge	GLOW PLUG* - <i>Diesel: Glow Plug [60A Yellow]</i>
F84	N	Cartridge	UREA HTR CTRL UNIT* - <i>Diesel: Urea Heater Control Unit [30A Pink]</i>
F85	N	Micro	PM SENSOR* [10A Red]
F86	N	Cartridge	SPARE*
F87	N	Micro	SUPPLY/PURGING PMP* - <i>Purging Pump Supply [10A Red]</i>
F88	N	Cartridge	NOX SENSOR #1/#2* - <i>NOx Sensor No.1 & No.2 [20A Blue]</i>
F89	10A	Micro	SCCM/CRUISE CTL/DTV/AIRBAG DISABLE LAMP - <i>Steering Column Control Module/Cruise Control/Digital TV/Airbag Disable Lamp</i>
F90	20A	Cartridge	TRLR TOW PARK LMP* - <i>Trailer Tow Parking Lamp</i>
F91	20A	Micro	HORN
F92	40A	Cartridge	HD ACCY #2* - <i>Heavy Duty Accessory No.2</i>
F93	40A	Cartridge	HD ACCY #1* - <i>Heavy Duty Accessory No.1</i>
F94	10A	Micro	TPM/CORAX - <i>Tire Pressure Monitor/RF Hub System</i>
F95	N	Micro	SPARE*
F96	10A	Micro	PWR MIRROR SW - <i>Power Mirror Switch</i>
F97	20A	Micro	RADIO/TBM – <i>Radio/Telematic Box Module</i>
F98	10A	Micro	SW BANK - HD ELEC/OFF ROAD - <i>Switch Bank - Heavy Duty Electrical/Off Road</i>
F99	N	Micro	SPARE*
F100	30A	Cartridge	ESC - ECU & VALVES - <i>Electronic Stability Control - Control Unit & Valves</i>

F101	30A	Cartridge	DTCM - <i>DriveTrain Control Module</i>
F102	15A	Micro	DUAL USB PORT
F103	15A	Micro	HD ACCY #3* - <i>Heavy Duty Accessory No.3</i>
F104	N	Micro	SPARE*
F105	10A	Micro	ICS/HVAC - <i>Integrated Center Stack/Heat Ventilation Air Conditioning</i>
F106	50A	Cartridge	ESC - PUMP MTR - <i>Electronic Stability Control - Pump Motor</i>
F107	20A	Micro	TRLR TOW STOP/TURN LT* - <i>Trailer Tow Stop/Turn Left Lamps</i>
F108	15A	Micro	HD ACCY #4* - <i>Heavy Duty Accessory No.4</i>
F109	20A	Micro	TRLR TOW STOP/TURN RT* - <i>Trailer Tow Stop/Turn Right Lamps</i>
F110	N	Cartridge	SPARE*
F111	20A	Cartridge	TRLR TOW BACKUP* - <i>Trailer Tow Backup Lamps</i>

REPLACEMENT FUSES (RF)

Loc.	Size	Type	Description
RF1	50A	Cartridge	Located upper-left in fuse box
RF2	40A	Cartridge	Located lower-left in fuse box
RF3	30A	Cartridge	Located lower-left in fuse box
RF4	20A	Cartridge	Located lower-left in fuse box

MICRO FUSE COUNT (and recommended number of spares to have)

Size	Count	Spares	RF
5A	2	1	1
10A	27	2	1
15A	20	2	1
20A	10	1	0
25A	3	1	0

Note: RF column – spare fuses already in a fuse box RF slot.