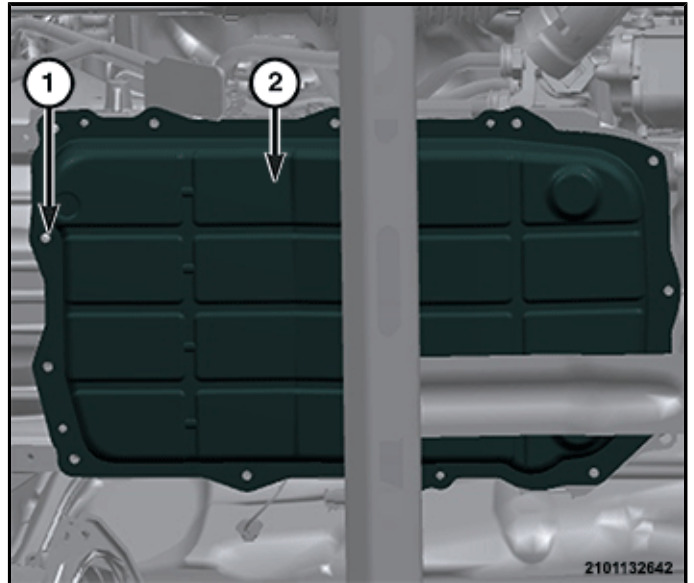


FLUID/FILTER SERVICE

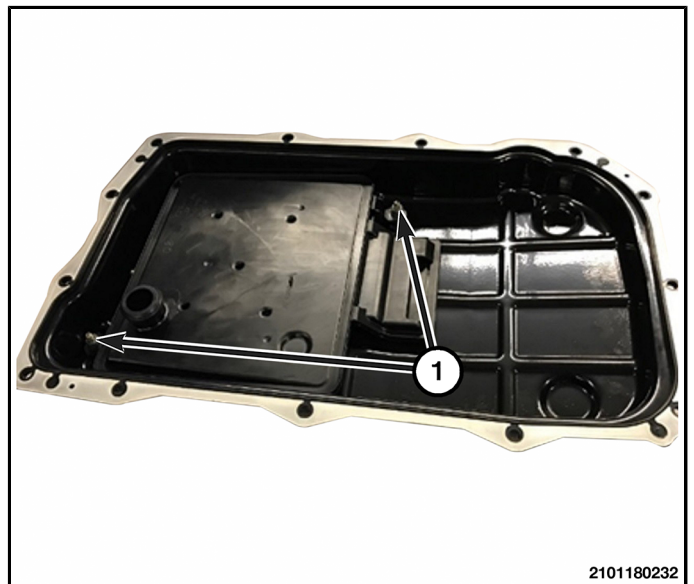
1. Raise and support the vehicle (Refer to 04 - Vehicle Quick Reference/Hoisting - Standard Procedure).
2. Drain the transmission fluid by partially removing the transmission fluid pan bolts and letting the fluid drain from the transmission fluid pan.
3. Remove the transmission fluid pan bolts (1) and remove the transmission fluid pan (2).



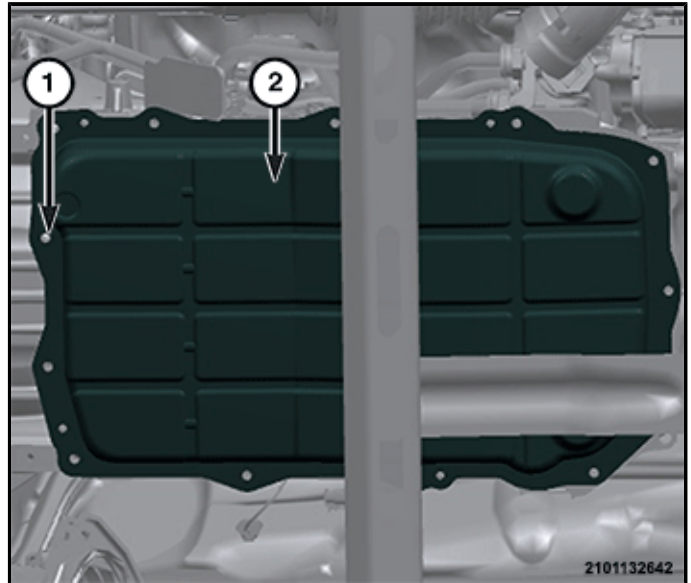
NOTE: Inspect the gasket for reuse. If the seal is cut or torn, replace the gasket.

NOTE: Check filter availability before removing. The filter is only available with the transmission oil pan in some applications.

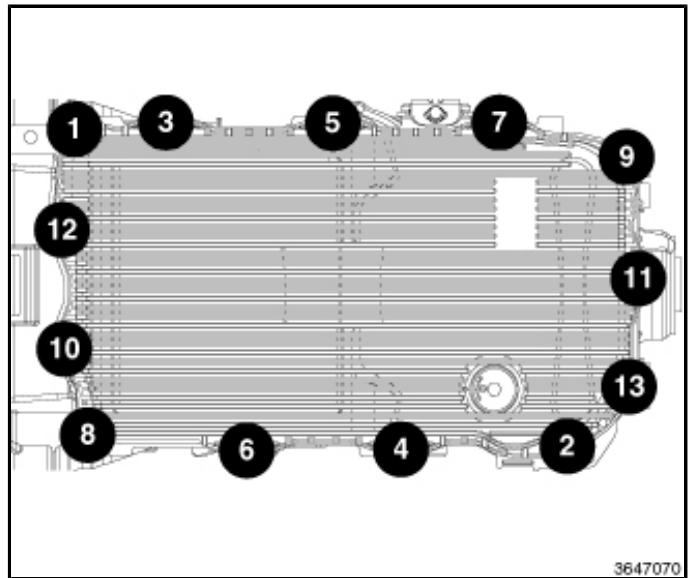
4. Remove the transmission fluid filter nuts (1) and **DISCARD** the transmission fluid filter.
5. Install the **NEW** transmission fluid filter and tighten the nuts (1) securely.



6. Install the transmission fluid pan (2) and tighten the bolts (1) hand tight.



7. Tighten the transmission fluid pan bolts to proper (Torque Specifications) **88 In-Lbs** using the sequence shown.



8. Check and adjust the transmission fluid level (Refer to 21 - Transmission and Transfer Case/Automatic/FLUID and FILTER/Standard Procedure).
9. Remove the support and lower the vehicle.