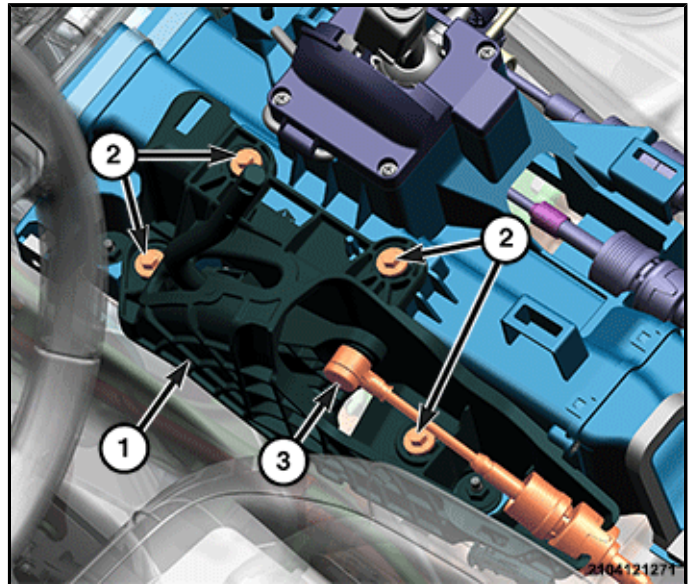


REMOVAL AND INSTALLATION

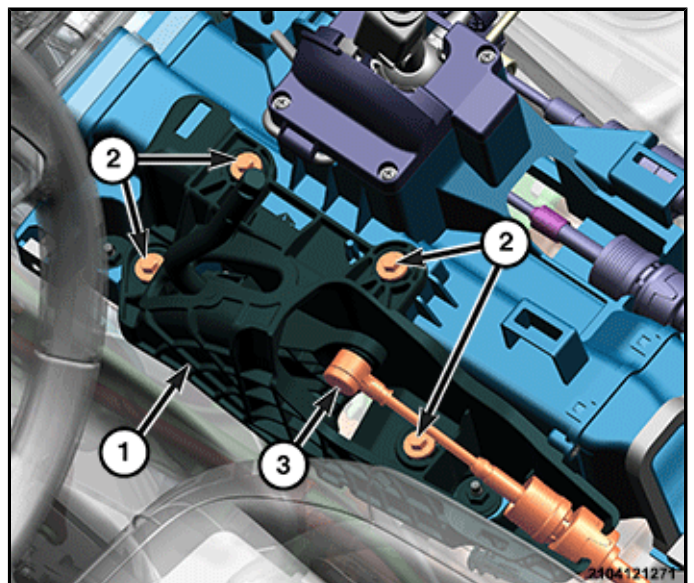
REMOVAL

1. Shift transfer case into 4 HI.
2. Remove the transfer case shift handle (Refer to 21 - Transmission and Transfer Case/Transfer Case/HANDLE/Removal and Installation).
3. Remove the floor console (Refer to 23 - Body/Interior/CONSOLE, Floor/Removal and Installation).
4. Disengage the transfer case shift cable from the shift lever (3).
5. Slide the transfer case shift cable up and out of the shifter housing mounting area.
6. Remove the fasteners (2) attaching shifter assembly (1) to floor pan.
7. Remove the shifter assembly (1) from the vehicle.



INSTALLATION

1. Position the transfer case shifter to the shifter alignment stud on the transmission shifter assembly.
2. Install the four fasteners (2) that hold the transfer case shifter (1) to the transmission shifter assembly. Tighten to the proper (Torque Specifications).
3. Verify that the floor shifter is in the 4 HI position.
4. Align the groove in the transfer case shift cable with the shifter housing mounting area. Slide the transfer case shift cable into the shifter housing mounting area.
5. Connect the transfer case shift cable (3) to the shift lever ball stud.



6. Install the floor console (Refer to 23 - Body/Interior/CONSOLE, Floor/Removal and Installation).

7. Install the transfer case shift knob (Refer to 21 - Transmission and Transfer Case/Transfer Case/HANDLE/Removal and Installation).
8. Check for proper transfer case shifter operation, adjust the shift cable if necessary.