

REMOVAL AND INSTALLATION

| Primary LOP | Related LOP | Description | Skill Level | Skill Category |
|-------------|-------------|--------------------------------|------------------|----------------|
| 21 03 10 01 | - | Cable, transfer case shift One | 1 - Semi Skilled | 3 |

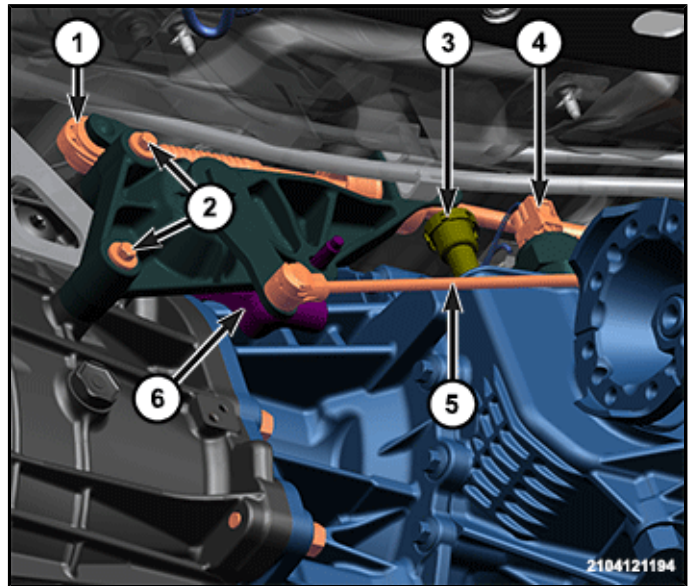
REMOVAL

NOTE: Transfer Case may not engage or disengage Four Wheel Drive Mode if the transfer case shift cable end bushings are damaged.

1. Shift the transfer case to 4 HI.
2. Remove the floor console Remove the floor console (Refer to 23 - Body/Interior/CONSOLE, Floor/Removal and Installation).
3. Insert a dowel pin or 4.9 mm (3/16 in.) drill bit into the alignment hole on the shifter assembly that aligns the shifter assembly and shift lever.

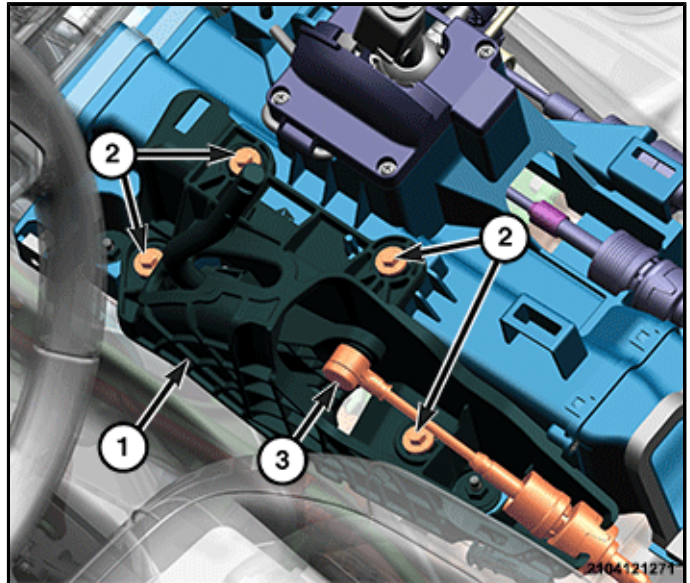
NOTE: The 4.9 mm (3/16 in.) dowel pin prevents fore and aft movement of the shift lever and locks the shift lever in the 4 HI position for easy adjustment.

4. Raise and support the vehicle (Refer to 04 - Vehicle Quick Reference/Hoisting/Standard Procedure).
5. Remove the transfer case shift cable to the shift cable support bracket (1) using a suitable tool.



6. Disengage any additional shift cable routing clips, if necessary.
7. Disengage the shift cable from the transfer case manual lever.
8. If necessary, remove end bushing from shift cable end.
9. Remove the support and lower the vehicle.

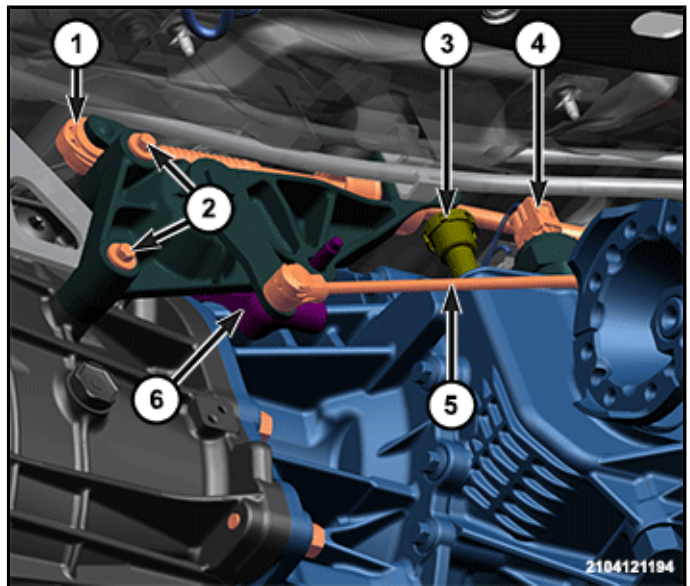
10. Disengage the transfer case shift cable (3) from the shift lever ball stud and loosen adjuster nut on cable.



11. Disengage the shift cable grommet from the floor and remove the shift cable from the vehicle.
12. If necessary, remove end bushing from shift cable end.

INSTALLATION

1. Verify the floor shifter is in the 4 HI position.
2. Raise and support the vehicle (Refer to 04 - Vehicle Quick Reference/Hoisting/Standard Procedure).
3. Route the shift cable through the opening in the shift cable support bracket.
4. Install the cable (1) and press to the lever on the transfer case linkage support bracket.
5. Install any additional routing clips on the shift cable.
6. Route the shift cable through the opening in the floor pan.
7. Remove the support and lower the vehicle.



8. Connect the transfer case shift cable to the shift lever ball studs (3) and tighten the adjuster nut to the proper (Torque Specifications).
9. Verify that the transfer case is in the 4 HI position at the shifter and on the instrument panel cluster, adjust the cable at the shifter (Refer to 21 - Transmission and Transfer Case/Transfer Case, NV271/LEVER, Transfer Case/Adjustments).
10. Install the floor console (Refer to 23 - Body/Interior/CONSOLE, Floor/Removal and Installation).
11. Check for proper transfer case shifter operation.

