

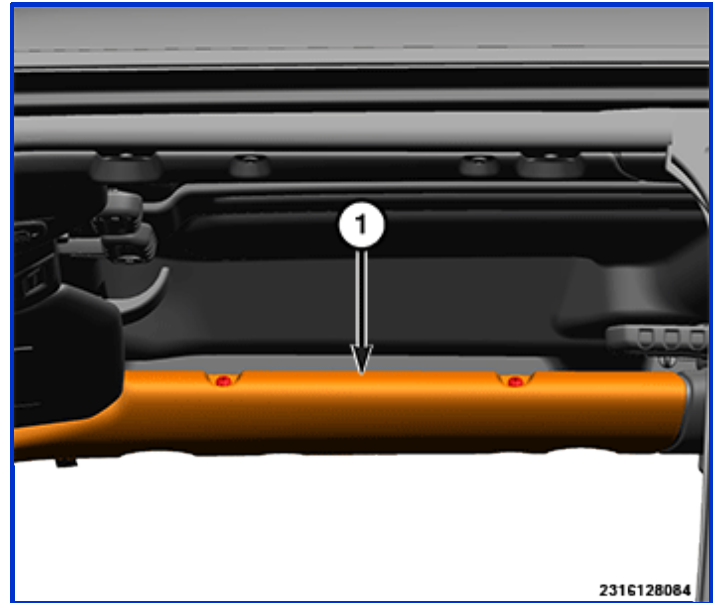
WITHOUT SIDE AIR BAG INFLATABLE CURTAIN (SABIC)

REMOVAL

1. Remove the four screws from the front door sport bar cover and remove cover from vehicle.

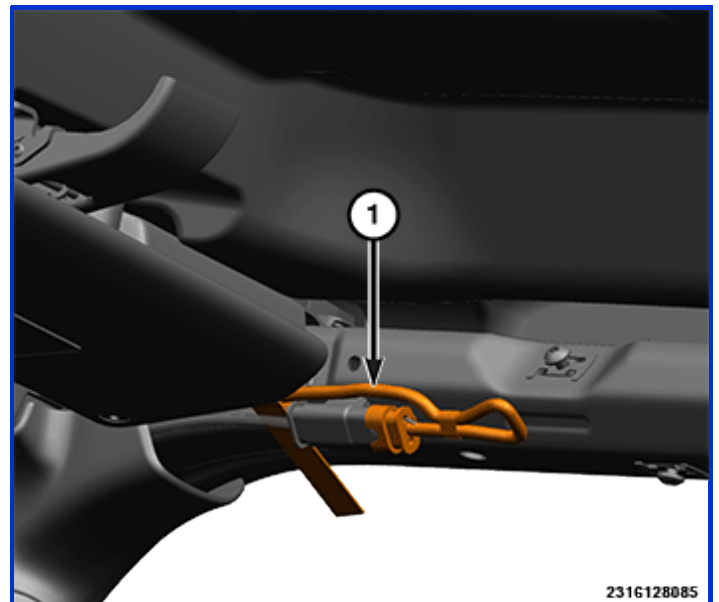
NOTE:

If equipped with power sliding top, open the top and use a straight driver to remove the upper fasteners.



1 - Sport Bar Cover

2. Disconnect wire harness connector for the visor.



1 - Wire Harness Connector

3. Release the visor from the support.
4. Remove the screws and the visor.



1 - Screws

2 - Support

INSTALLATION

Follow the removal procedure in reverse for general reassembly of the components on the vehicle. The steps listed below are calling out specific procedures that should be followed during installation.

- All screws are tightened securely.