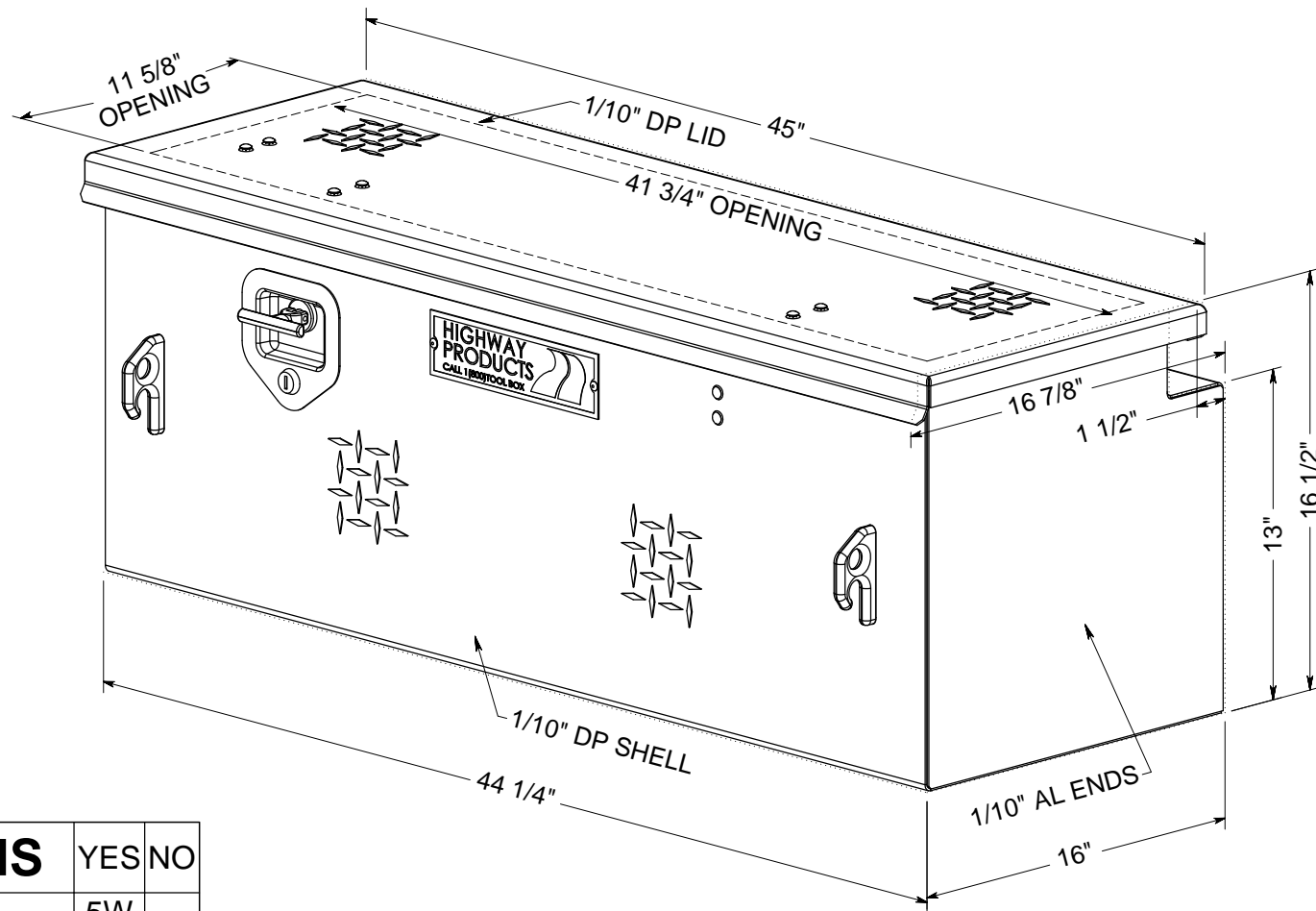
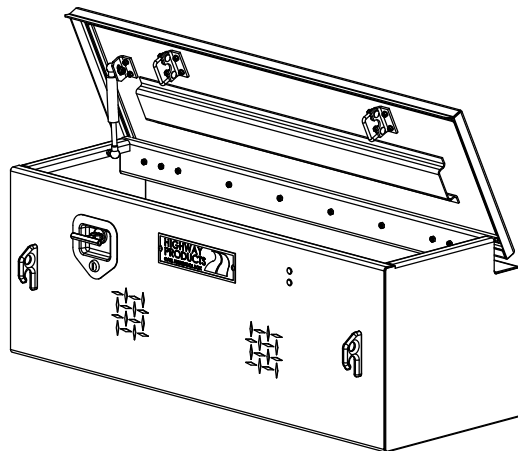


PRELIMINARY-SALES



PC LX FI

CUSTOMER: Bruce Elworthy

APPROVAL SIGNATURE _____

YOUR PRODUCTION LEAD TIME WILL BEGIN AS SOON AS WE RECEIVE YOUR SIGNATURE APPROVAL ON THE PRINTS WITHOUT ANY REQUESTS FOR CHANGES. THANK YOU.

CUSTOMER SPECIAL INSTRUCTIONS:

OPTIONS	YES	NO
LOCK	5W	
ID PLATE	X	
GAS CYLINDER	X	
DRAIN HOLES		X

MATERIAL: 1/10" DP		PROJECT #: 2875
FINISH: DP		DRAWN BY: Chris Mills
REVISION: Ov1	APVL BY: CSM ENG DATE: 07/25/2019 SALE BY: Joshua Dover	TOLERANCES: ANGULAR $\pm 2^\circ$ FRACTIONAL $\pm 3/16"$ TWO PLACE DECIMAL $\pm .125$ THREE PLACE DECIMAL $\pm .0625$

5TH WHEEL BOX

SPECIAL INSTRUCTIONS:

HIGHWAY PRODUCTS
1-800-TOOL BOX
FAX 1-800-465-9545
800TOOLBOX.COM

