

DPDT Button Kit

Use this kit to connect your -S type linear actuator to a voltage source and be able to control the direction manually. Simply push the button once to extend, and again to retract. The included fuse will protect the circuit from shorts and overloading. Not included in this kit, is the required power supply (6 or 12volts DC, 5A Max). You may also require more wire so you can position the button the required distance from the actuator. The switch has an internal blue LED, which can be wired in to indicate the switch status.

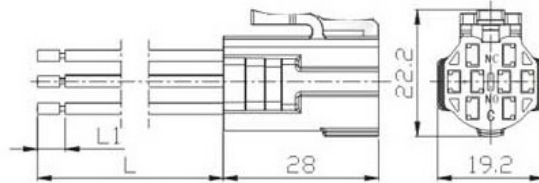
Contents:

- 1 DPDT button and o-ring
- 1 connector and wire loom
- 1 fuse
- 8 pieces of heat-shrink

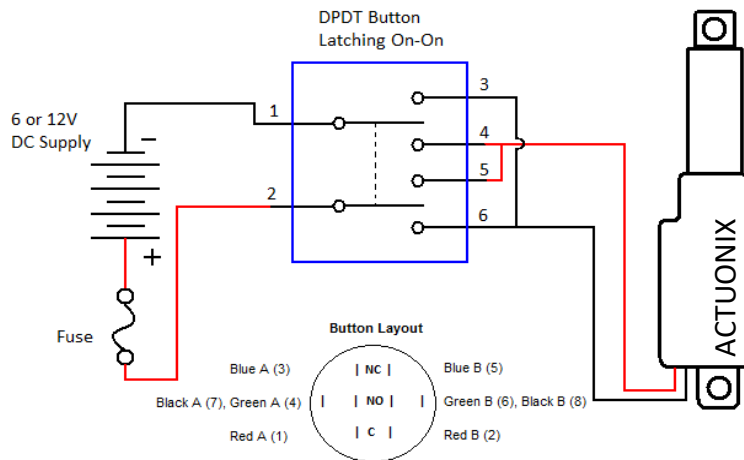


For Use With:

- PQ12 -S actuators
- L12 -S actuators
- L16 -S actuators
- P16 -S actuators
- T16 -S actuators



Suggested Wiring Schematic:



LED Connection Options:

- | | | |
|--------|---|----------------|
| On | - | Connect 1 to 7 |
| | - | Connect 2 to 8 |
| On/Off | - | Connect 3 to 7 |
| | - | Connect 4 to 8 |
| Off/On | - | Connect 4 to 7 |
| | - | Connect 3 to 8 |

Notes:

- For more details on each component see our documentation page: http://www.actuonix.com/category_s/1930.htm
- To connect a PQ12 actuator, you will also need a PQ12 adapter board and extension cable.
- A 19mm diameter hole is recommended for mounting. The outer face diameter is 22mm.

All data on this sheet is provided for information purposes only. Purchase and use of Actuonix Actuators is subject to our terms and conditions as posted here: <http://actuonix.com/terms.asp>