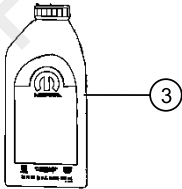
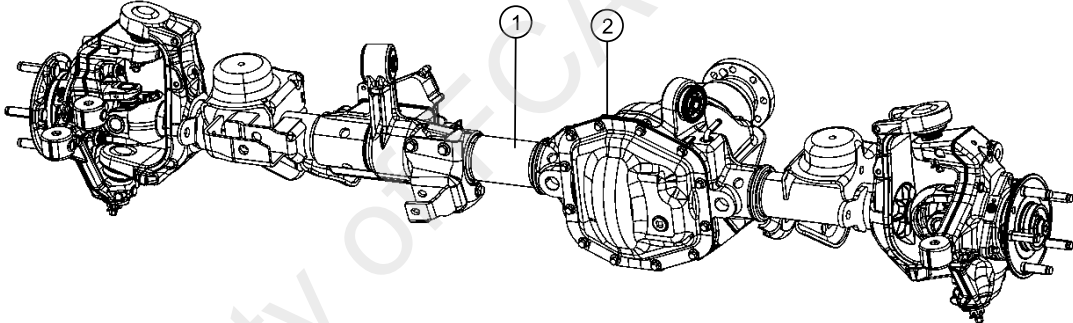


003 - Differential and Drive Line 105 - Axle Assembly, Front

Dealer Comments:PTAK AUTO - import oryginalnych części z grupy MOPAR
<https://ptak.auto.pl>



003 - Differential and Drive Line 105 - Axle Assembly, Front

Pos	Description	Part Number	Qty	Eng	Trans	Line
1	AXLE ASSEMBLY, Front Complete, [DJE], [DME], [DS7], [DHN], [X86]	68376920AE	1			
2	AXLE, Service Front, [DJE], [DME], [DS7], [DHN], [X86]	68476398AA	1			
3	LUBRICANT, Gear, [DME], [DRE], [DS8], [BR6], [X86]	68378949AA	AR			

Property of FCA US LLC