

2022 Jeep Truck Gladiator V6-3.6L

Vehicle &gt; Powertrain Management &gt; Relays and Modules - Powertrain Management &gt; Relays and Modules - Computers and Control Systems &gt; Body Control Module &gt; Diagrams &gt; Connector Views

## BODY CONTROL MODULE C4/D

## MODULE-BODY CONTROL C4/D

**Harness Family:** Dash

**Cavities:**30

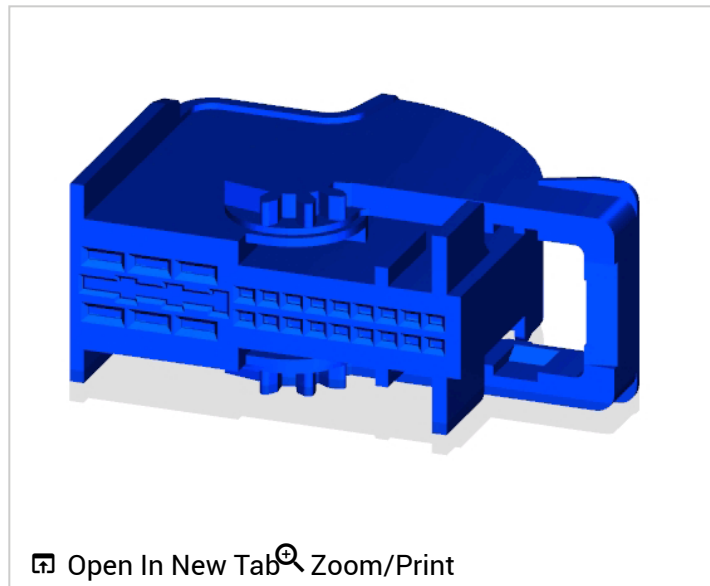
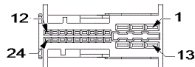
**Color:**

**Gender:**FEMALE

**Part Description:** 13850156\_13850159

**Connector No:** D3806D

**Option:**Standard



[Open In New Tab](#) [Zoom/Print](#)

Pin	Circuit	Wire Color	Gauge/Size	Function	Option
1	L33	WH/GN	1.5	LEFT HIGH BEAM DRIVER	
2	L44	WH/BG	0.75	RIGHT LOW BEAM DRIVER	3.0L DIESEL
2	L44	WH/BG	1.5	RIGHT LOW BEAM DRIVER	3.6L GAS
3	L78	WH/OG	0.75	RIGHT FRONT PARK LAMP DRIVER	
4	N0	NA/	0	NO CONNECT	
5	L144	BG/OG	0.35	RIGHT SIDE MARKER CONTROL	
5	L144	BG/OG	0.75	RIGHT SIDE MARKER CONTROL	BASE
5	N0	NA/	0	NO CONNECT	PREMIUM
6	N0	NA/	0	NO CONNECT	
7	K88	BN/BG	0.35	STOP/START RELAY CONTROL	
8	N0	NA/	0	NO CONNECT	

9	K361	WH/BN	0.50	PTC 2 RELAY CONTROL	3.0L DIESEL
9	N0	NA/	0	NO CONNECT	3.6L GAS
10	K363	OG/BN	0.50	PTC 3 RELAY CONTROL	3.0L DIESEL
10	N0	NA/	0	NO CONNECT	3.6L GAS
11	K360	GY/BN	0.50	PTC 1 RELAY CONTROL	3.0L DIESEL
11	N0	NA/	0	NO CONNECT	3.6L GAS
12	P408	BG/	0.35	POWER MIRROR RELAY CONTROL	
13	L90	WH/OG	0.75	RIGHT FRONT FOG LAMP CONTROL	
14	L61	WH/GN	0.75	LEFT FRONT TURN LAMP DRIVER	
15	L58	WH/YE	0.75	LEFT DRL LAMP DRIVER	
16	N0	NA/	0	NO CONNECT	
17	N0	NA/	0	NO CONNECT	
18	B15	DG/WH	0.35	BRAKE SIGNAL 1	
19	Z420	BK/OG	0.50	GROUND	
20	N0	NA/	0	NO CONNECT	
21	B20	DG/OG	0.50	BRAKE FLUID LEVEL SIGNAL	
22	G31	VT/GN	0.35	AAT SIGNAL	
23	G931	VT/BN	0.35	SENSOR GROUND	
24	T824	YE/DB	0.35	TRS PARK SIGNAL	