

CUPHOLDER

REMOVAL

1. Disconnect and isolate the negative battery cable(s) ([Refer to 08 - Electrical/Battery System/Standard Procedure](#)).
2. Using a trim tool, separate the gear shifter boot from the bezel.



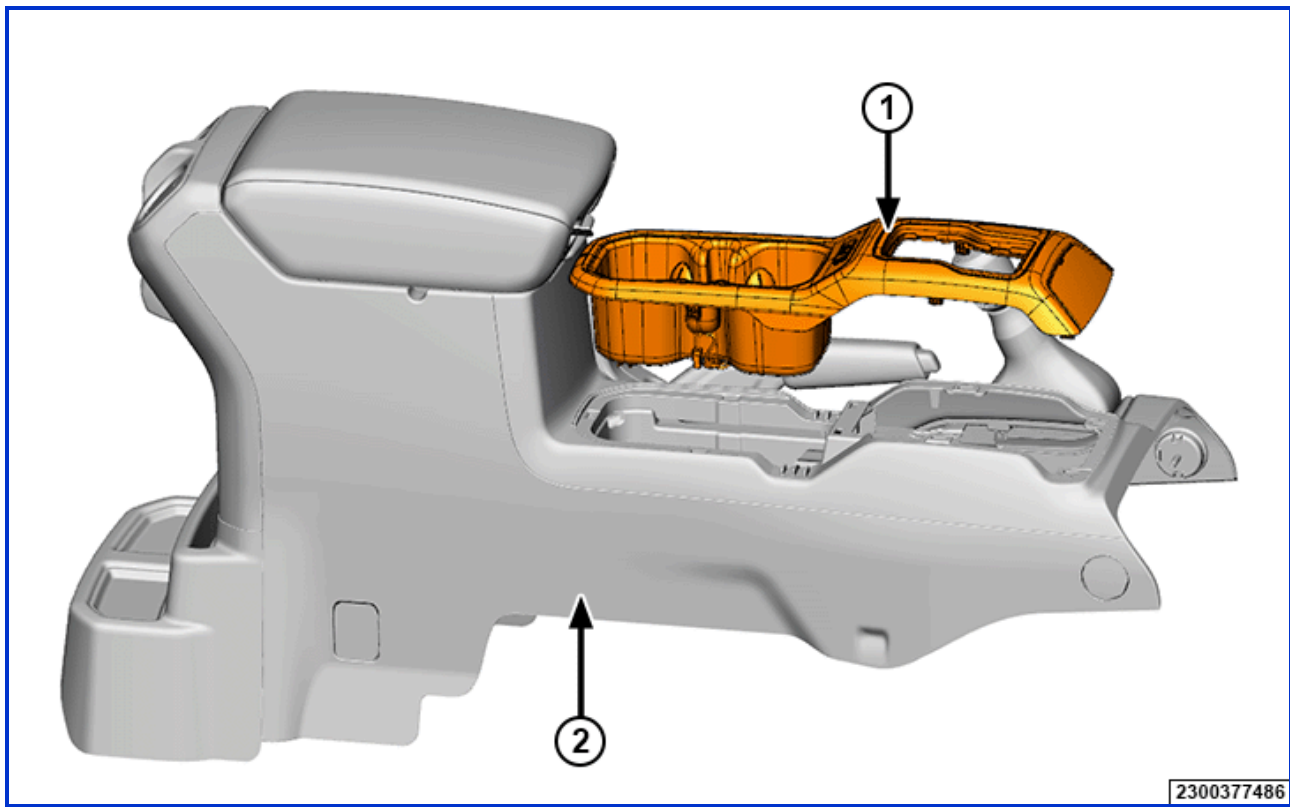
1 - Gear Shifter Boot

3. Position the gear shifter boot so you can remove the screw, then remove the gear shift knob and boot assembly.



1 - Screw

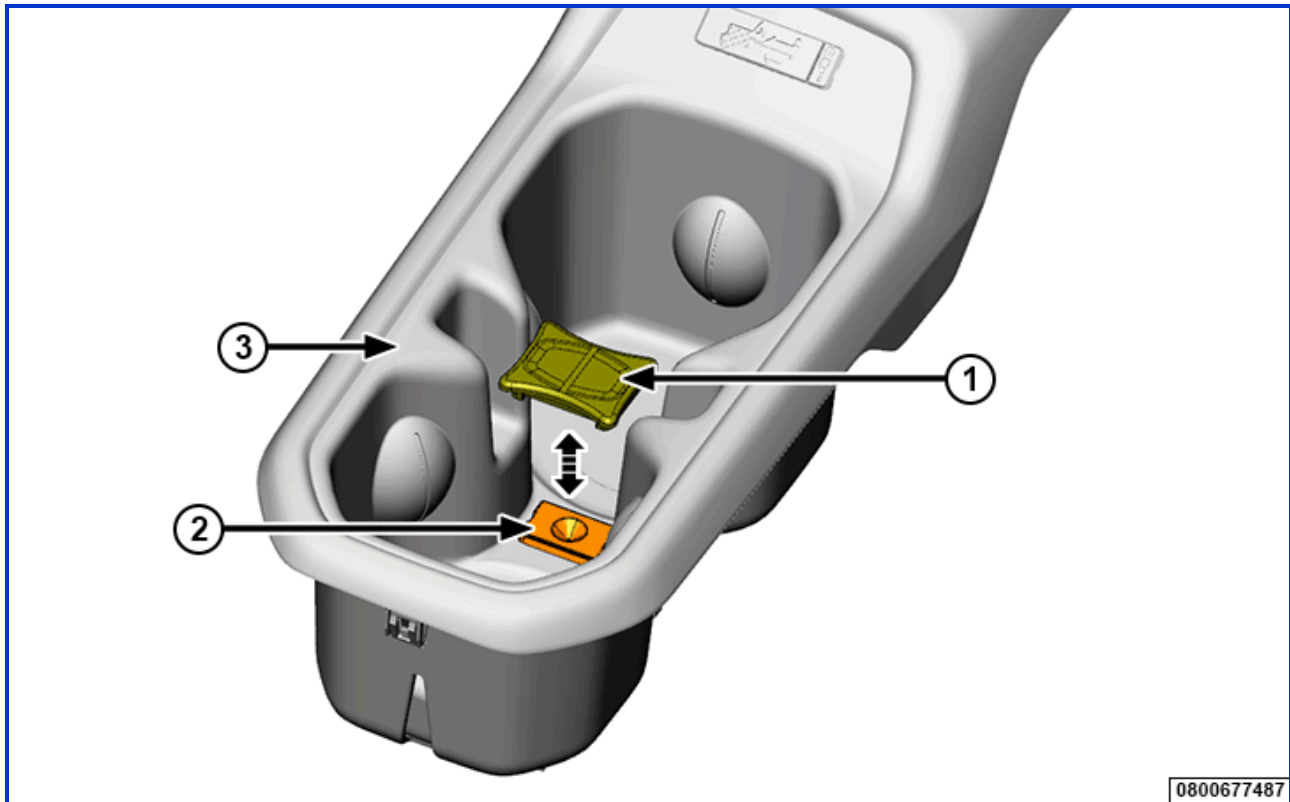
4. Using a trim tool, separate the cupholder from the floor console.
5. Lift the cupholder, disconnect the wire harness connector and remove the cupholder.



2300377486

- 1 - Cupholder
- 2 - Floor Console

6. Disengage the lamp lens and remove the cupholder lamp from the bottom of the cupholder.



0800677487

- 1 - Cupholder Lamp Lens
- 2 - Cupholder Lamp
- 3 - Cupholder

Follow the removal procedure in reverse for general reassembly of the components on the vehicle. The steps listed below are calling out specific procedures that should be followed during installation.

- Tighten the screw securely.