

1 - Rear Oil Seal Retainer Bolts

NOTE: Make sure that the seal retainer flange is flush with the engine block oil pan sealing surface.

6. Install the seven seal retainer bolts (1) and tighten to the proper specifications. Refer to [TORQUE SPECIFICATIONS](#).
7. Install the flexplate. Refer to [FLEXPLATE, REMOVAL AND INSTALLATION](#).
8. Install the oil pan. Refer to [PAN, OIL, REMOVAL AND INSTALLATION](#).
9. Fill the engine crankcase with the proper oil to the correct level. Refer to [CAPACITIES AND RECOMMENDED FLUIDS, SPECIFICATIONS](#).

ENGINE MOUNTING

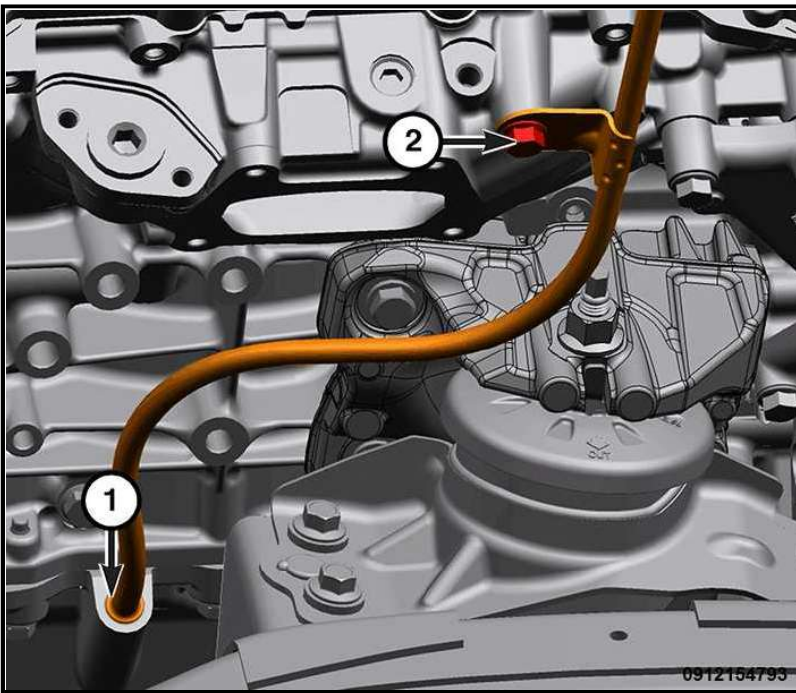
INSULATOR, ENGINE MOUNT, LEFT

REMOVAL AND INSTALLATION

LEFT ENGINE MOUNT

REMOVAL

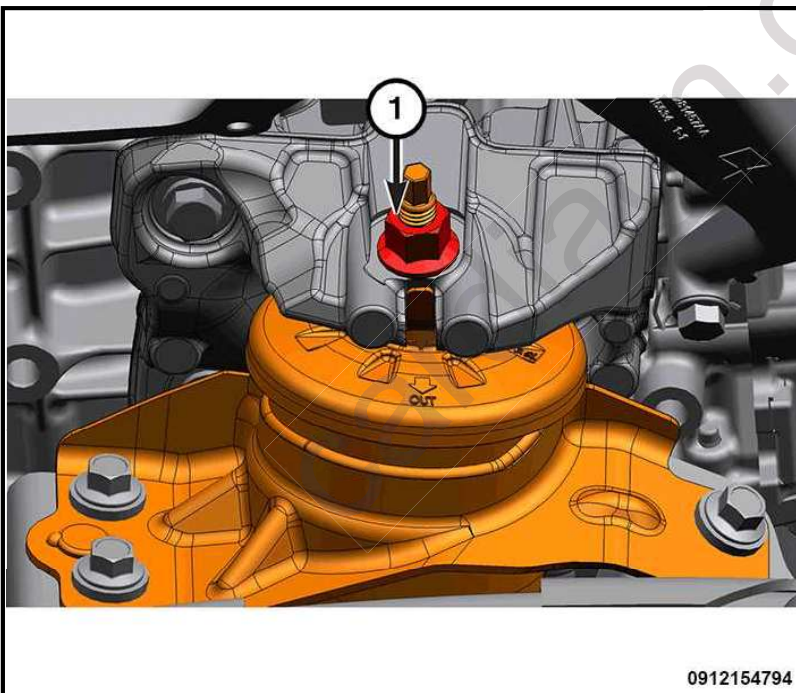
1. Remove the front tires and wheels. Refer to [REMOVAL AND INSTALLATION](#).
2. Remove the right front splash shield. Refer to [SHIELD, SPLASH, REAR WHEELHOUSE, REMOVAL AND INSTALLATION](#).



1 - Oil Level Indicator Tube

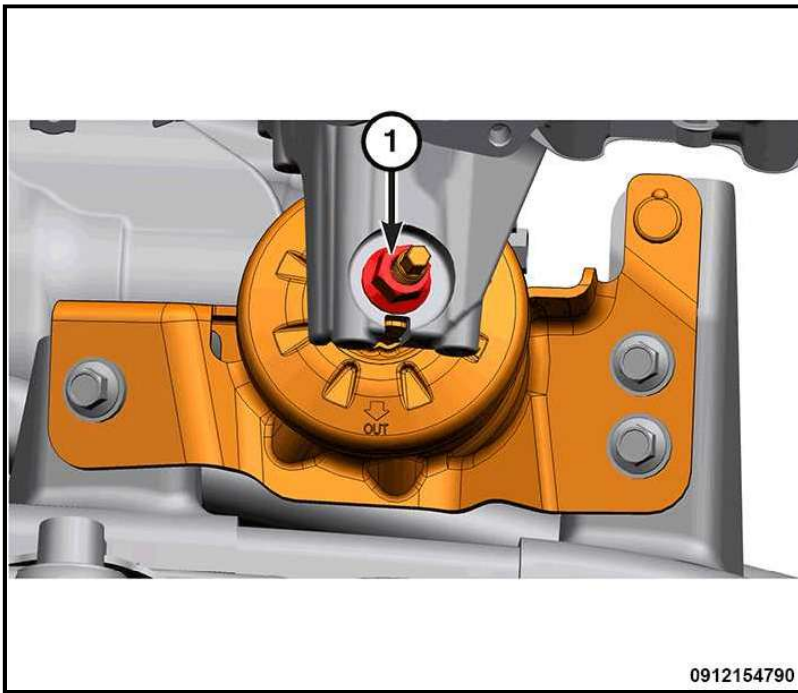
2 - Oil Level Indicator Tube Bolt

3. Remove the oil level indicator tube bolt and remove the oil level indicator tube from the engine block.



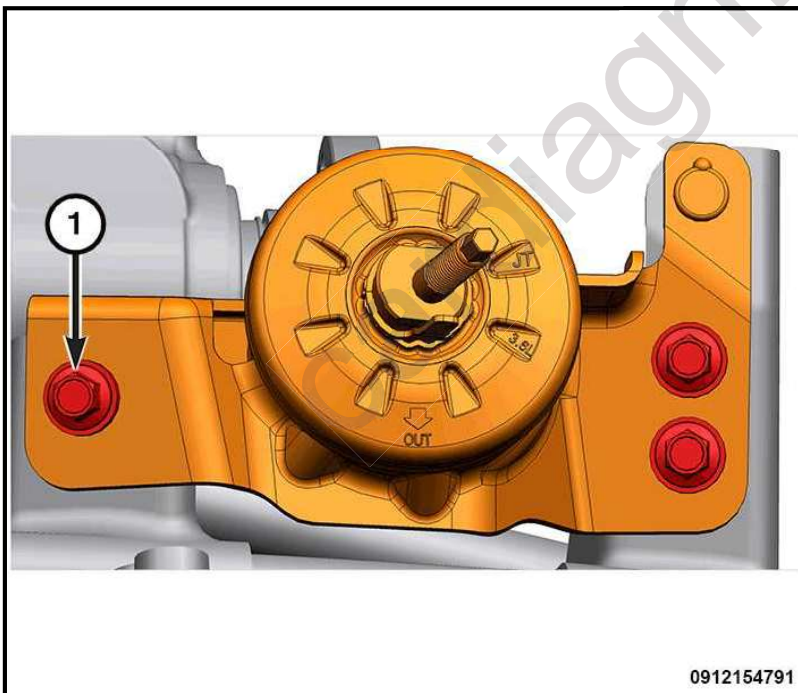
1 - Right Engine Mount Isolator to Bracket Nut

4. Remove the right engine mount isolator to engine mount bracket nut.



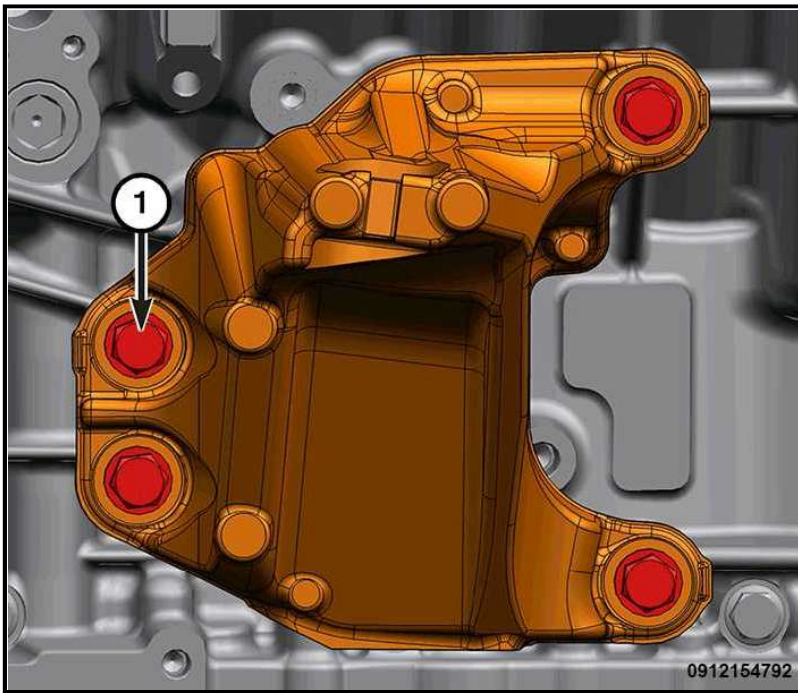
1 - Left Engine Mount Isolator to Bracket Nut

5. Remove the left engine mount isolator to engine mount bracket nut.
6. Remove the transmission to transmission crossmember nuts. Refer to [CROSSMEMBER, TRANSMISSION, REMOVAL AND INSTALLATION](#).
7. Using a jack stand, raise the engine until the weight is off of the isolator.



1 - Left Engine Mount to Frame Bolts

8. Remove the left engine mount to frame bolts and remove the left engine mount.



1 - Left Engine Mount Bracket to Engine Bolts

9. If necessary, remove the bolts and the left engine mount bracket from the engine block.

INSTALLATION

During installation, torque the fasteners to the specifications in the torque table(s) below.

Follow the removal procedure in reverse for general reassembly of the components on the vehicle. The steps listed below are calling out specific procedures that should be followed during installation.

- After installing the mount, lower the engine and verify that all mounts are aligned.

TORQUE SPECIFICATIONS

ENGINE MOUNTING

RIGHT ENGINE MOUNT

DESCRIPTION	SPECIFICATION	COMMENTS
Engine Mount Isolator to Engine Mount Bracket	122 N.m (90 Ft. Lbs.)	-
Engine Mount Bracket to Engine Block	65 N.m (48 Ft. Lbs.)	-
Engine Mount Isolator to Frame	55 N.m (41 Ft. Lbs.)	-

LEFT ENGINE MOUNT

DESCRIPTION	SPECIFICATION	COMMENTS
Left Engine Mount Bracket to Engine Block	65 N.m (48 Ft. Lbs.)	-
Left Engine Mount Isolator to Engine Mount Bracket	122 N.m (90 Ft. Lbs.)	-
Left Engine Mount Isolator to Frame	55 N.m (41 Ft. Lbs.)	-

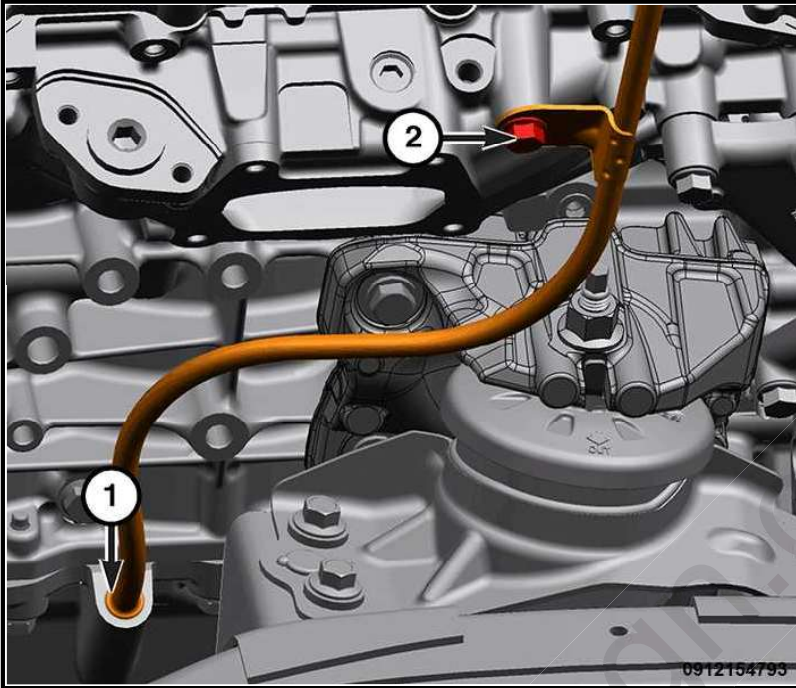
INSULATOR, ENGINE MOUNT, RIGHT

REMOVAL AND INSTALLATION

RIGHT ENGINE MOUNT

REMOVAL

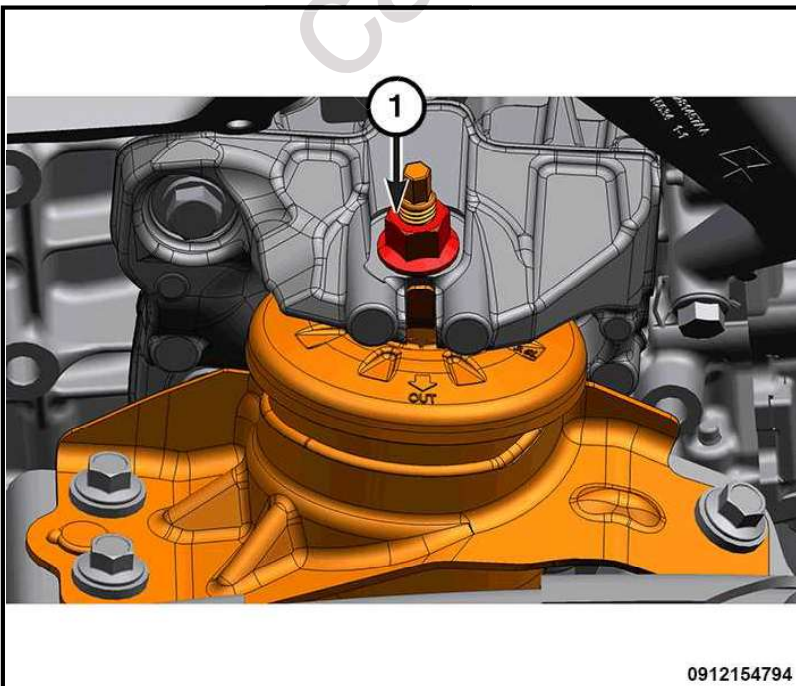
1. Remove the front tires and wheels. Refer to [REMOVAL AND INSTALLATION](#) .
2. Remove the right front wheelhouse inner splash shield. Refer to [SHIELD, SPLASH, REAR WHEELHOUSE, REMOVAL AND INSTALLATION](#) .
3. Disengage the wire harness retainer from the right engine mount bracket.



1 - Oil Level Indicator Tube

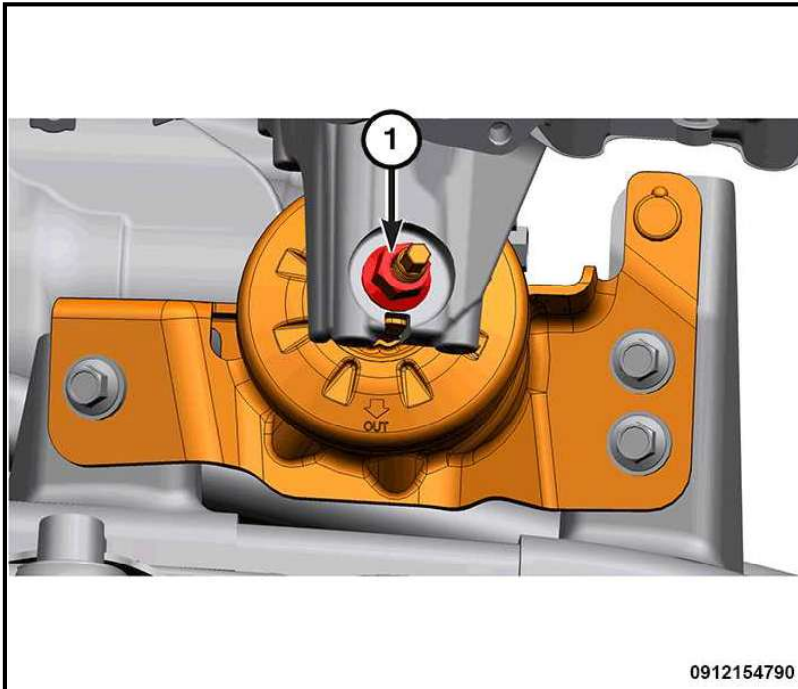
2 - Oil Level Indicator Tube Bolt

4. Remove the oil level indicator tube retaining bolt and remove the oil level indicator tube from the engine block.



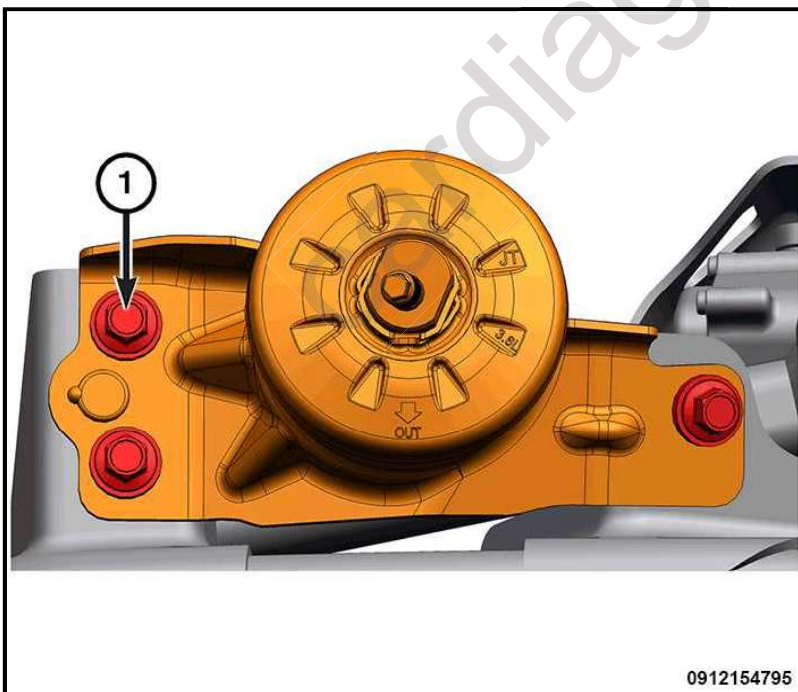
1 - Right Engine Mount Isolator to Bracket Nut

5. Remove the right engine mount isolator to engine mount bracket nut.



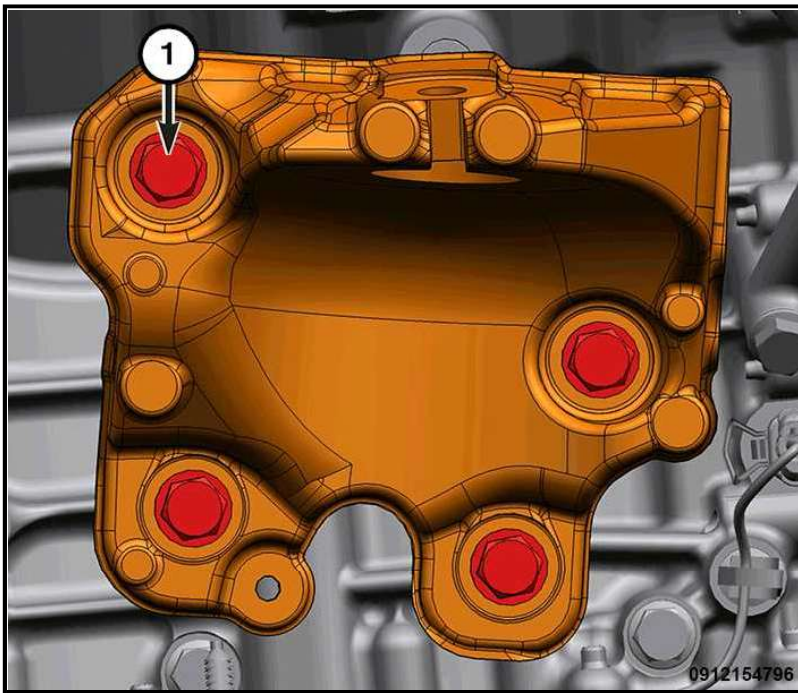
1 - Left Engine Mount Isolator to Bracket Nut

6. Remove the left engine mount isolator to engine mount bracket nut.
7. Remove the transmission to transmission crossmember nuts. Refer to [CROSSMEMBER, TRANSMISSION, REMOVAL AND INSTALLATION](#).



1 - Right Engine Mount to Frame Bolts

8. Using a suitable jack stand, raise the engine until the weight is off of the isolator.
9. Remove the right engine mount to frame bolts and remove the right engine mount isolator.



1 - Left Engine Mount Bracket to Engine Bolts

10. If necessary, remove the bolts and the right engine mount bracket from the engine block.

INSTALLATION

During installation, torque the fasteners to the specifications in the torque table(s) below.

Follow the removal procedure in reverse for general reassembly of the components on the vehicle. The steps listed below are calling out specific procedures that should be followed during installation.

- After installing the mount, lower the engine and verify that all mounts are aligned.

TORQUE SPECIFICATIONS

ENGINE MOUNTING

RIGHT ENGINE MOUNT

DESCRIPTION	SPECIFICATION	COMMENTS
Engine Mount Isolator to Engine Mount Bracket	122 N.m (90 Ft. Lbs.)	-
Engine Mount Bracket to Engine Block	65 N.m (48 Ft. Lbs.)	-
Engine Mount Isolator to Frame	55 N.m (41 Ft. Lbs.)	-

LEFT ENGINE MOUNT

DESCRIPTION	SPECIFICATION	COMMENTS
Left Engine Mount Bracket to Engine Block	65 N.m (48 Ft. Lbs.)	-
Left Engine Mount Isolator to Engine Mount Bracket	122 N.m (90 Ft. Lbs.)	-
Left Engine Mount Isolator to Frame	55 N.m (41 Ft. Lbs.)	-

FUEL SYSTEM