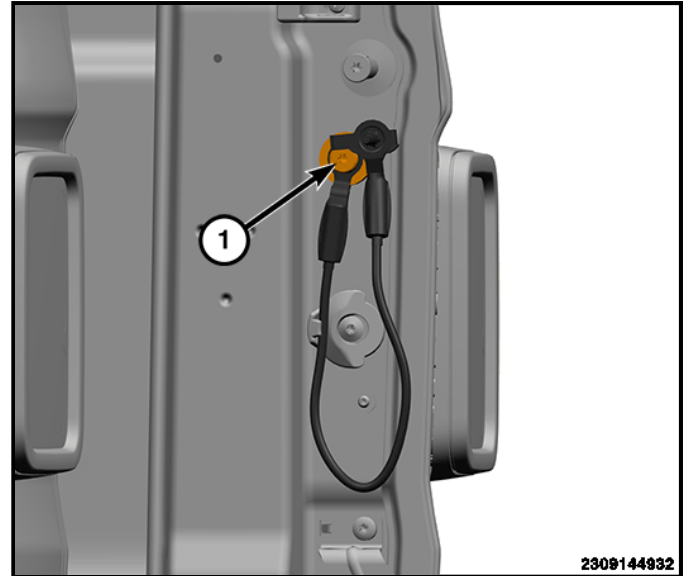


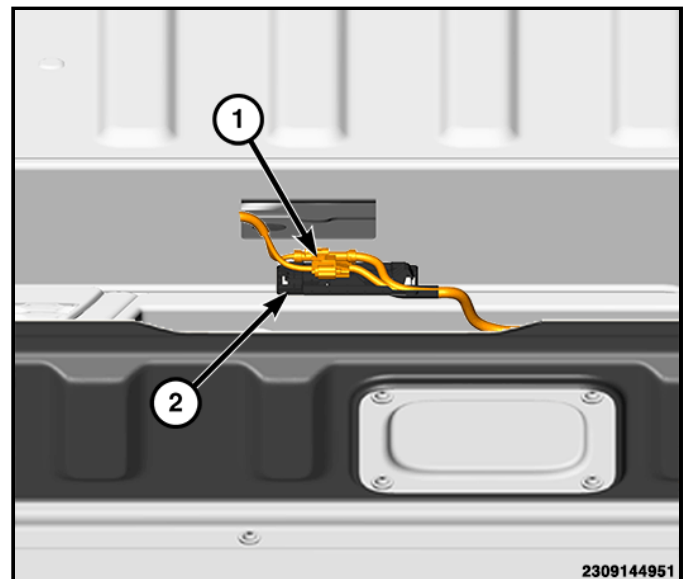
23 - Body / Decklid/Hatch/Liftgate/Tailgate/Swing Gate / TAILGATE / Removal and Installation**REMOVAL AND INSTALLATION****REMOVAL**

1. Disconnect and isolate the negative battery cable(s) ([Refer to 08 - Electrical/Battery System/Standard Procedure](#))

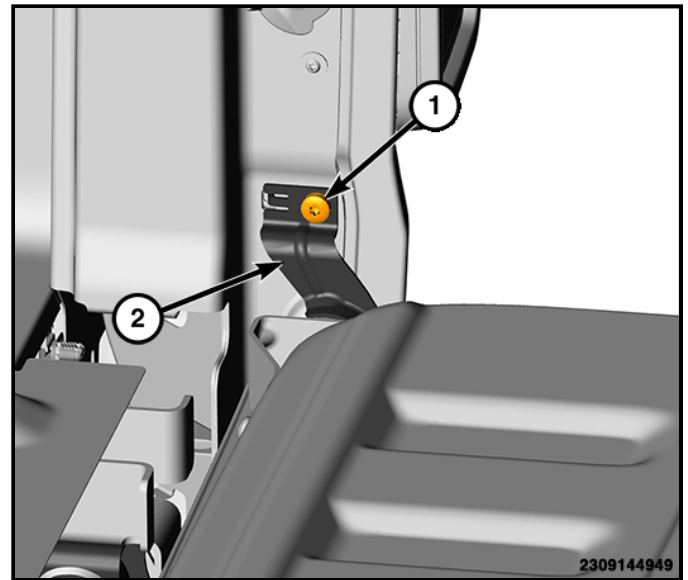
2. Open the tailgate and locate the tailgate check cable on the left and right of the cargo box below the tailgate striker as necessary.
3. Remove the bolts (1) and remove the tailgate check cable(s) from the cargo box.



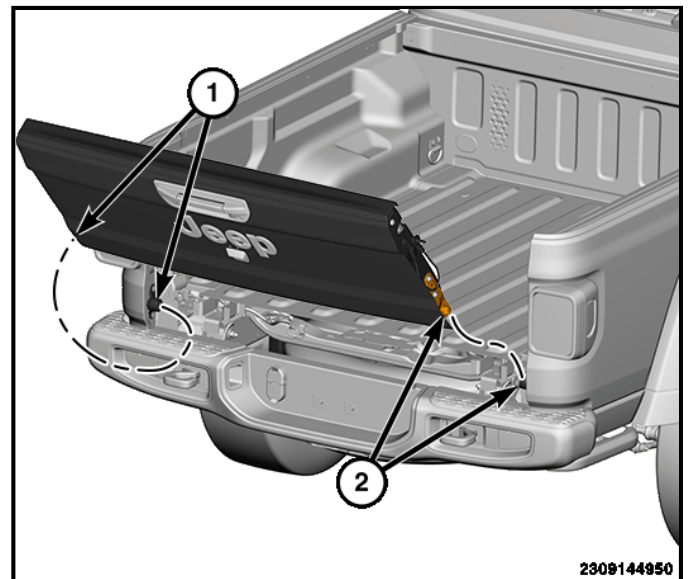
4. Using a trim stick or equivalent, separate the cover plate (2) from the rear cargo box sill panel.
5. Disconnect the wire harness connectors (1), if equipped.



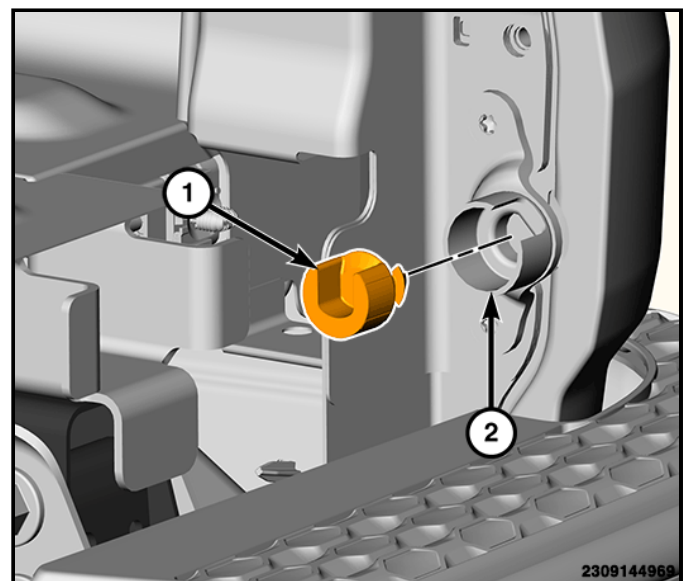
6. Remove the bolt (1) and remove the lock plate (2).



7. Partially close the tailgate so that the notch in the right side tailgate pivot pocket (2) aligns with the flats on the right side tailgate pivot pin.
8. Lift the tailgate upward far enough to disengage the tailgate pivot pocket from the right side tailgate pivot pin.
9. Carefully slide the tailgate to the right far enough to disengage it from the left side tailgate pivot pin (1) and remove the tailgate.

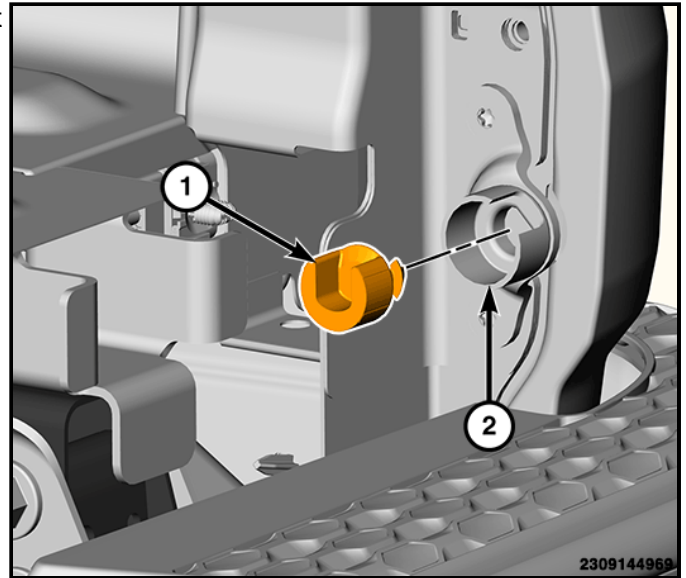


10. If required, remove the bushing (1) from each tailgate pivot pocket (2).

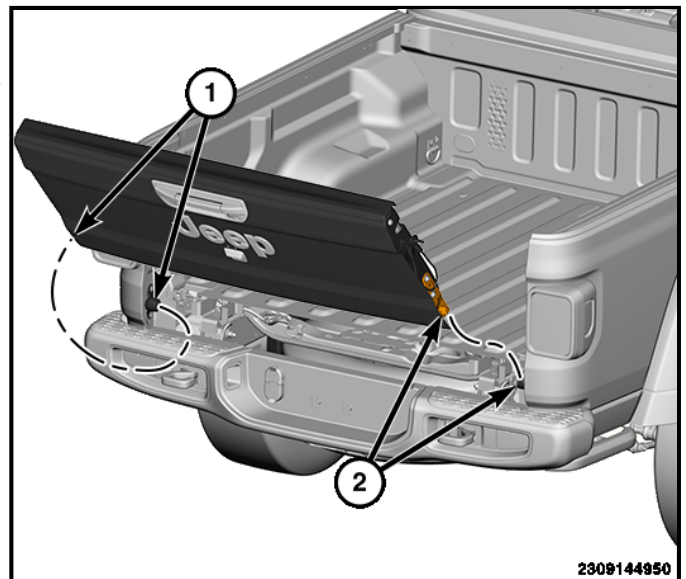


INSTALLATION

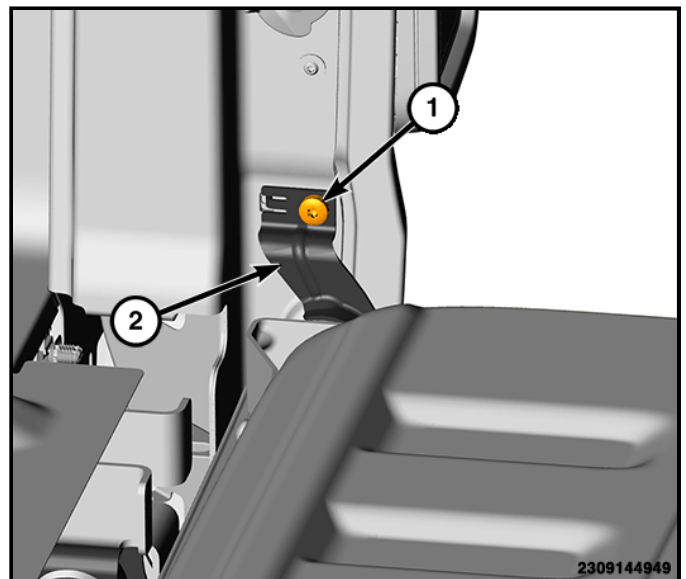
1. If removed, install the bushing (1) into each tailgate pivot pocket (2).



2. Position the tailgate to the left side tailgate pivot pin (1).
3. Partially close the tailgate so that the notch in the right side tailgate pivot pocket aligns with the flats on the right side tailgate pivot pin (2).
4. Lower the tailgate to the right side tailgate pivot pin (2).

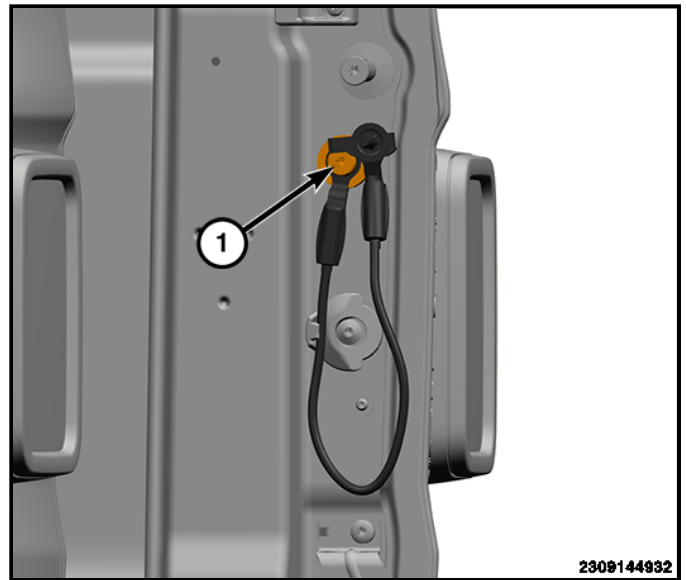


5. Install the lock plate (2) and install the screw (1).
6. Tighten the screw (1) to the proper [Torque Specifications](#).

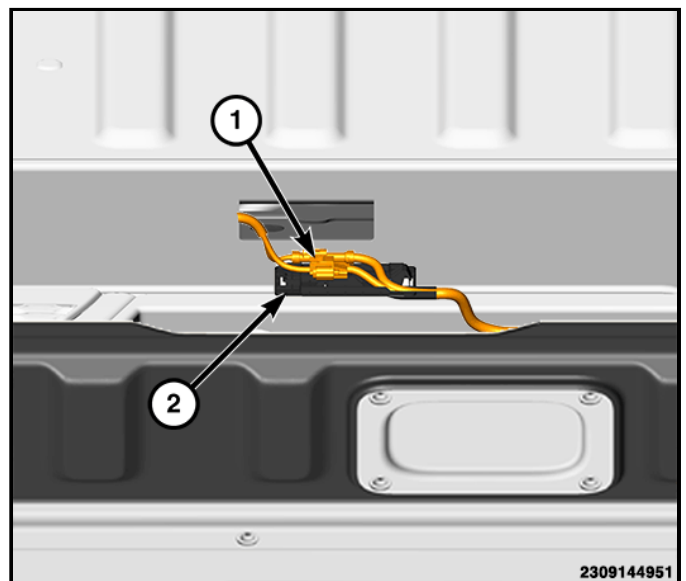


7. Position the tailgate check cable onto the left and right side of the cargo box.

8. Install the bolts (1) that secure the tailgate check cable(s) to the box and tighten to the proper [\(Torque Specifications\)](#).



9. If equipped, connect the wire harness connectors (1) and seat the cover plate (2) back into the cargo box sill and seat fully.



10. Connect the negative battery cable(s) [\(Refer to 08 - Electrical/Battery System/Standard Procedure\)](#).