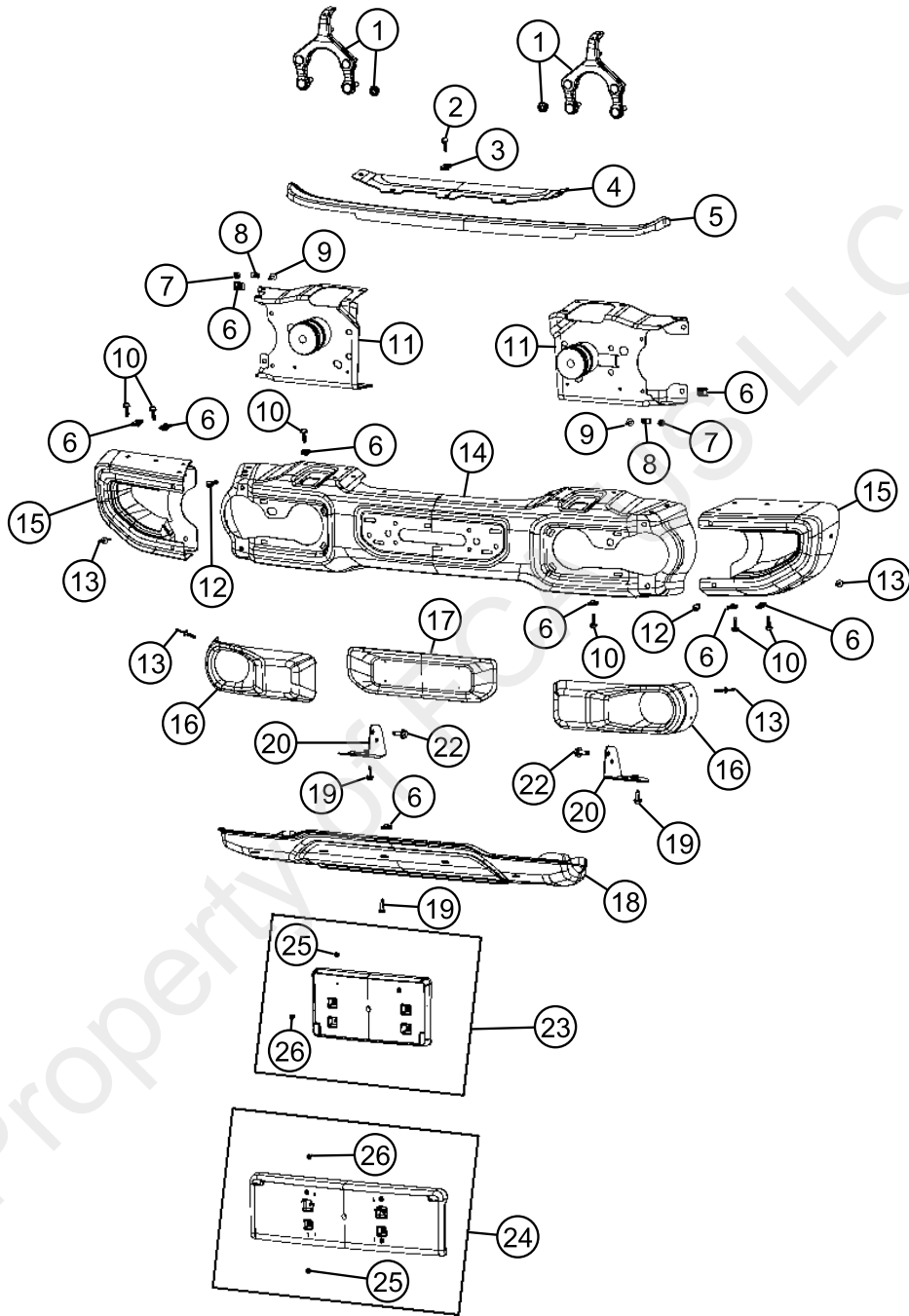


013 - Frame, Bumper and Fascia 205 - Bumper, [MC6]



013 - Frame, Bumper and Fascia 205 - Bumper, [MC6]

Pos	Description	Part Number	Qty	Eng	Trans	Line
1	HOOK, Tow, See Group 013-505, (Reference Only)					
2	SCREW, M8X30					
2	SCREW, M8X30, [X8W], [MC6]	68355472AA	5			J U
2	SCREW, M8X30, [X8W], [MC6], [XH6]	68355472AA	5			J U
3	NUT, U Type Multi Thread, M8 x 1.25					
3	NUT, U Type Multi Thread, M8 x 1.25, [X8W], [MC6]	06105244AA	5			J U
3	NUT, U Type Multi Thread, M8 x 1.25, [X8W], [MC6], [XH6]	06105244AA	5			J U
4	COVER, Bumper					
4	COVER, Bumper, [X8W], [MC6]	68293946AA	1			J U
4	COVER, Bumper, [X8W], [MC6], [XH6]	68293946AA	1			J U
5	PANEL, CLOSEOUT, [MC6]	6BU43RXFAB	1			J U
6	NUT, U Type Multi Thread, M8 x 1.25					
6	NUT, U Type Multi Thread, M8 x 1.25, [X8W], [MC6]	06105244AA	4			J U
6	NUT, U Type Multi Thread, M8 x 1.25, [X8W], [MC6], [XH6]	06105244AA	4			J U
7	NUT, Hex Weld, M8x1.25					
7	NUT, Hex Weld, M8x1.25, [X8W], [MC6]	06101916	4			J U
7	NUT, Hex Weld, M8x1.25, [X8W], [MC6], [XH6]	06101916	4			J U
8	NUT, U					
8	NUT, U, [X8W], [MC6]	06509394AA	1			J U
8	NUT, U, [X8W], [MC6], [XH6]	06509394AA	1			J U
9	BOLT AND WASHER, Hex Head, M6X1.00.X25.00					
9	BOLT AND WASHER, Hex Head, M6X1.00.X25.00, [X8W], [MC6], [XH6]	06105098AA	1			J U
9	BOLT AND WASHER, Hex Head, M6X1.00.X25.00, [X8W], [MC6]	06105098AA	4			J U
10	SCREW, M8X30					
10	SCREW, M8X30, [X8W], [MC6]	68355472AA	4			J U
10	SCREW, M8X30, [X8W], [MC6], [XH6]	68355472AA	4			J U
11	BRACKET KIT, Bumper					
11	BRACKET KIT, Bumper, Right, [X8W], [MC6]	68325051AB	1			J U
11	BRACKET KIT, Bumper, Left, [X8W], [MC6]	68325052AB	1			J U

Pos	Description	Part Number	Qty	Eng	Trans	Line
11	BRACKET KIT, Bumper, Right, [X8W], [MC6], [XH6]	68325051AB	1			J U
11	BRACKET KIT, Bumper, Left, [X8W], [MC6], [XH6]	68325052AB	1			J U
12	SCREW, M8x35					
12	SCREW, M8x35, [X8W], [MC6]	68342211AA	4			J U
12	SCREW, M8x35, [X8W], [MC6], [XH6]	68342211AA	4			J U
13	RIVET, M6.25x28					
13	RIVET, M6.25x28, [X8W], [MC6]	06500911	6			J U
13	RIVET, M6.25x28, [X8W], [MC6], [XH6]	06500911	6			J U
14	BUMPER, Front					
14	BUMPER, Front, [X8W], [MC6]	68293891AB	1			J U
14	BUMPER, Front, [X8W], [MC6], [XH6]	68293891AB	1			J U
15	EXTENSION, Bumper					
15	EXTENSION, Bumper, Right, [X8W], [MC6]	68385512AA	1			J U
15	EXTENSION, Bumper, Left, [X8W], [MC6]	68385513AA	1			J U
15	EXTENSION, Bumper, Right, [X8W], [MC6], [XH6]	68385512AA	1			J U
15	EXTENSION, Bumper, Left, [X8W], [MC6], [XH6]	68385513AA	1			J U
16	BEZEL, Fog Lamp					
16	BEZEL, Fog Lamp, Right, [X8W], [MC6]	68295558AA	1			J U
16	BEZEL, Fog Lamp, Right, [X8W], [MC6], [XH6]	68295558AA	1			J U
16	BEZEL, Fog Lamp, Left, [X8W], [MC6]	68295559AA	1			J U
16	BEZEL, Fog Lamp, Left, [X8W], [MC6], [XH6]	68295559AA	1			J U
17	PANEL, CLOSEOUT					
17	PANEL, CLOSEOUT, [X8W], [MC6]	68293980AA	1			J U
17	PANEL, CLOSEOUT, [X8W], [MC6], [XH6]	68293980AA	1			J U
18	SKID PLATE, Front, [MC6]	68293984AB	1			J U
19	SCREW, M8x1.25x30, [MC6]	06512587AA	7			J U
20	BRACKET, Skid Plate					
20	BRACKET, Skid Plate, Right, [MC6]	68353836AA	1			J U
20	BRACKET, Skid Plate, Left, [MC6]	68353837AA	1			J U
-21	NUT/RIVET, Bracket to Frame Attaching, [MC6]	06511076AA	4			J U
22	BOLT AND CONED WASHER, Hex Head, M10x1.5x30, [MC6]	06104414AA	4			J U
23	LICENSE PLATE KIT, Includes Screws, [MDA], [MC6]	68295610AA	1			J U

Pos	Description	Part Number	Qty	Eng	Trans	Line
24	LICENSE PLATE KIT, Includes Screws					
25	SCREW, [MDA], [MC6]	06104608AA	2			J U
26	SCREW AND WASHER, Tapping Pan Head, M4.2X1.4X19.0, [MDA], [MC6]	06104610AA	4			J U
-27	COVER, Tow Hook					
-28	COVER, Close-Out					

Property of FCA US LLC