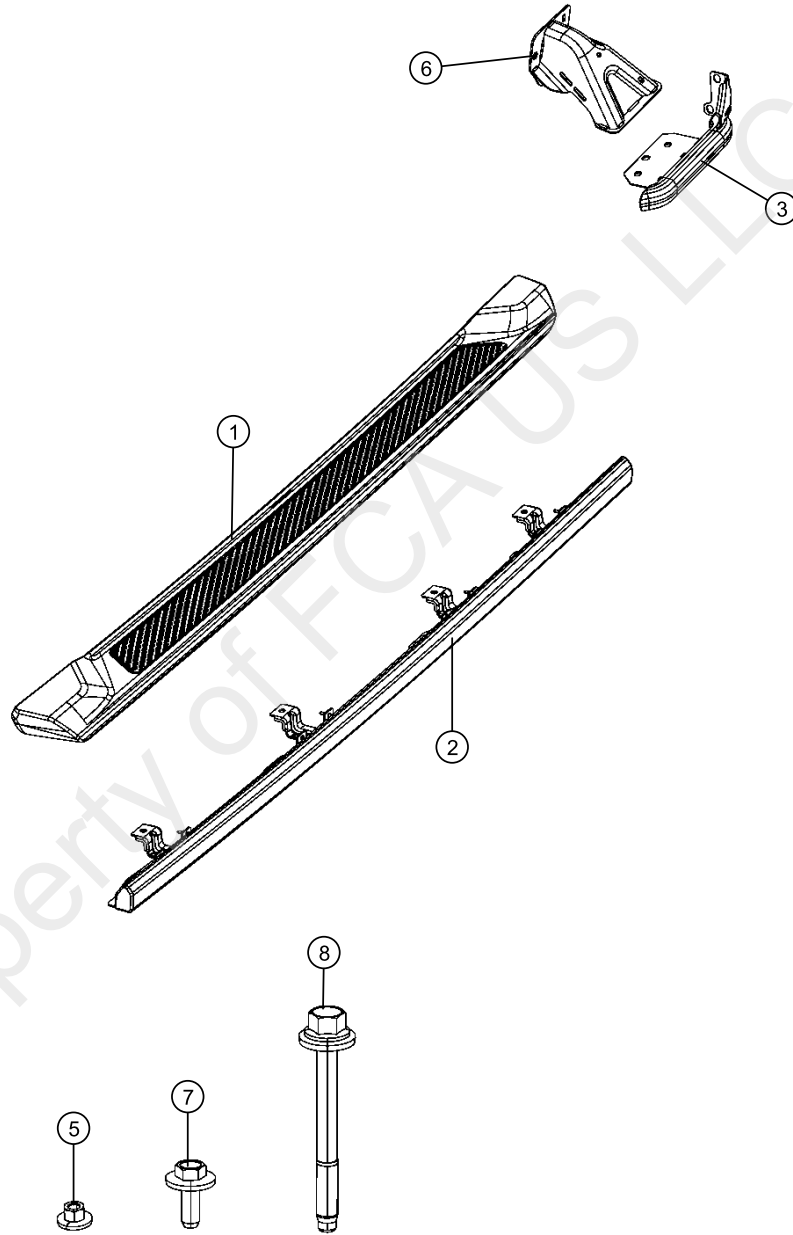


040 - Exterior Ornamentation 505 - Running Boards and Side Steps

Dealer Comments:



## 040 - Exterior Ornamentation 505 - Running Boards and Side Steps

Pos	Description	Part Number	Qty	Eng	Trans	Line
1	STEP, Side					
1	STEP, Side, Right, [MRK]	68341196AA	1			J U
1	STEP, Side, Left, [MRK]	68341197AA	1			J U
2	SILL, Body Side					
2	SILL, Body Side, Right, [MEF]	68341314AA	1			J U
2	SILL, Body Side, Left, [MEF]	68341315AA	1			J U
3	SILL, Box					
3	SILL, Box, Right, [MEF], [X86]	68343194AB	1			J U
3	SILL, Box, Left, [MEF], [X86]	68343195AB	1			J U
4	SCREW AND WASHER, M8X1.25X30.00					
4	SCREW AND WASHER, M8X1.25X30.00, [MEF]	06102165AA	8			J U
4	SCREW AND WASHER, M8X1.25X30.00, [MRK]	06102165AA	8			J U
5	NUT AND WASHER, Hex, M6X1.00					
5	NUT AND WASHER, Hex, M6X1.00, [MEF]	06102238AA	16			J U
5	NUT AND WASHER, Hex, M6X1.00, [MRK]	06102238AA	16			J U
6	BRACKET, Bumper to Frame Rail					
6	BRACKET, Bumper to Frame Rail, Right, [MEF], [X86]	68356518AA	1			J U
6	BRACKET, Bumper to Frame Rail, Left, [MEF], [X86]	68356519AA	1			J U
7	SCREW & WASHER, Hex Head Tapping					
7	SCREW & WASHER, Hex Head Tapping, [MEF], [X86], Guard Assy Box Side Bumper	06512870AA	4			J U
7	SCREW & WASHER, Hex Head Tapping, [MEF], [X86], Bracket Bumper Rear To Frame	06512870AA	4			J U
7	SCREW & WASHER, Hex Head Tapping, [MEF], [X86], Guard Assy Box Side To Bracket	06512870AA	6			J U
8	SCREW & WASHER, Hex Head Tapping, [MEF], [X86]	06512886AA	2			J U
-9	END CAP, Sill					
-9	END CAP, Sill, Right Front, Left Rear, [MEF]	68357612AD	1			J U
-9	END CAP, Sill, Right Front, Left Rear, [XGS]	68357612AD	1			J U
-9	END CAP, Sill, Left Front, Right Rear, [MEF]	68357613AD	1			J U

Pos	Description	Part Number	Qty	Eng	Trans	Line
-9	END CAP, Sill, Left Front, Right Rear, [XGS]	68357613AD	1			J U

Property of FCA US LLC