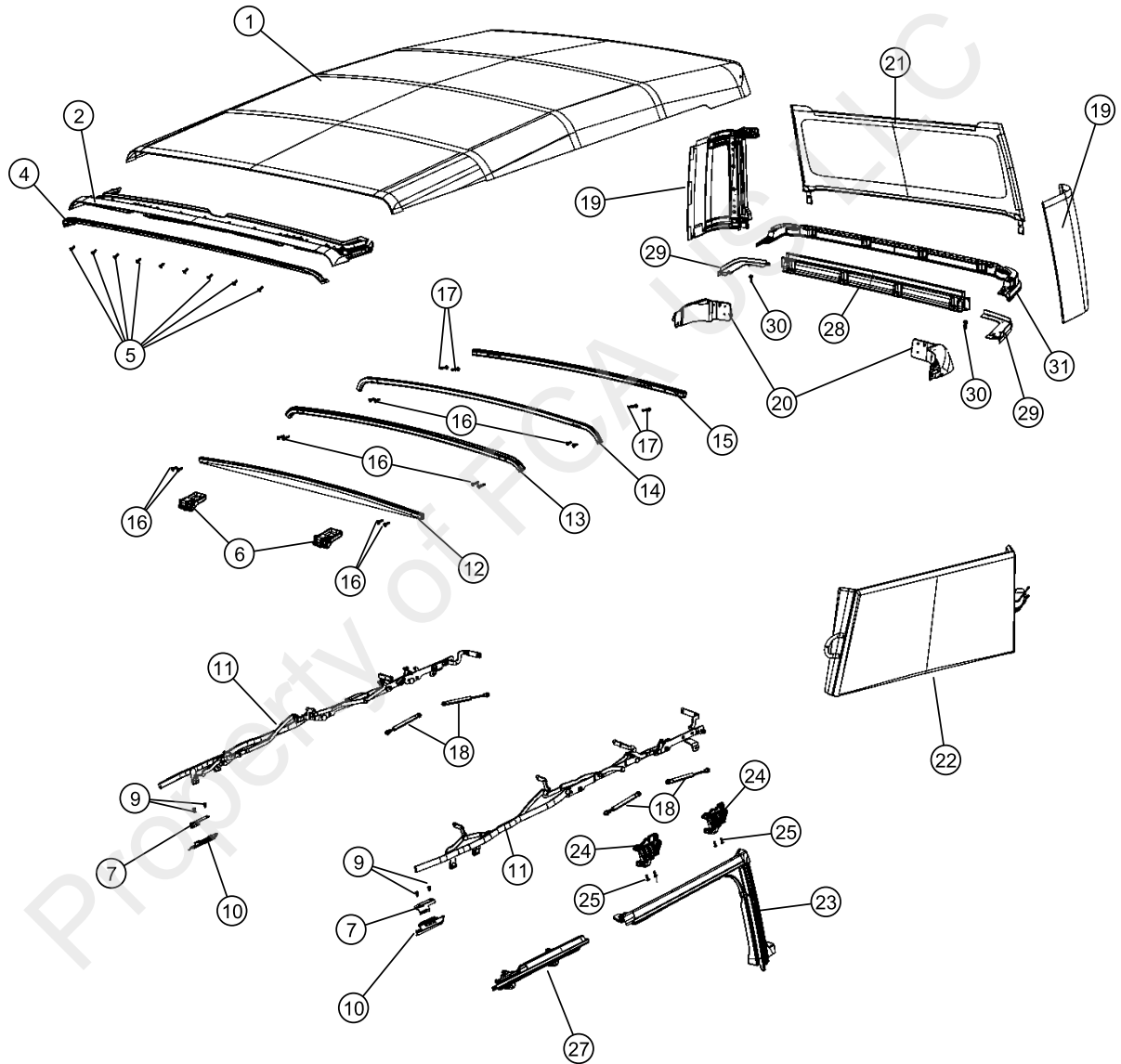


060 - Body Sheet Metal Except Doors 935 - Soft Top Attaching Parts

Dealer Comments:



060 - Body Sheet Metal Except Doors 935 - Soft Top Attaching Parts

Pos	Description	Part Number	Qty	Eng	Trans	Line
1	COVER, Soft Top					
1	COVER, Soft Top, [-O0], [STB]	6XZ10FX9AA	1			J U
1	COVER, Soft Top, [-O0], [STA]	6YQ85SX9AA	1			J U
2	HEADER, Folding Top					
2	HEADER, Folding Top, [STB]	68391565AA	1			J U
2	HEADER, Folding Top, [STA]	68391565AA	1			J U
2	HEADER, Folding Top, [ST2]	68391565AA	1			
-3	FOAM KIT, Soft Top, [ST2]	68504525AA	1			
4	PANEL, Header					
4	PANEL, Header	68398998AA	1			J U
4	PANEL, Header, [STA]	68398998AA	1			J U
5	SCREW, Pan Head, M5x0.8x16.00					
5	SCREW, Pan Head, M5x0.8x16.00, [STB]	68399057AA	11			J U
5	SCREW, Pan Head, M5x0.8x16.00, [STA]	68399057AA	11			J U
6	LATCH, Folding Top					
6	LATCH, Folding Top, [STB]	68391566AB	2			J U
6	LATCH, Folding Top, [STA]	68391566AB	2			J U
7	COVER, HEADER					
7	COVER, HEADER, Right, [STB]	68466050AA	1			J U
7	COVER, HEADER, Right, [STA]	68466050AA	1			J U
7	COVER, HEADER, Left, [STB]	68466051AA	1			J U
7	COVER, HEADER, Left, [STA]	68466051AA	1			J U
-8	CABLE, Folding Top Cover Tension					
-8	CABLE, Folding Top Cover Tension, [STB]	68466049AA	2			J U
-8	CABLE, Folding Top Cover Tension, [STA]	68466049AA	2			J U
9	SCREW, Shoulder					
9	SCREW, Shoulder, [STB]	68466052AA	2			J U
9	SCREW, Shoulder, [STA]	68466052AA	2			J U
10	SEAL, Header Foam					
10	SEAL, Header Foam, Right, [STB]	68395058AA	1			J U
10	SEAL, Header Foam, Right, [STA]	68395058AA	1			J U
10	SEAL, Header Foam, Left, [STB]	68395059AA	1			J U
10	SEAL, Header Foam, Left, [STA]	68395059AA	1			J U
11	RAIL, Rear					
11	RAIL, Rear, Right, [STB]	68465978AA	1			J U
11	RAIL, Rear, Right, [STA]	68465978AA	1			J U
11	RAIL, Rear, Left, [STB]	68465979AA	1			J U

Pos	Description	Part Number	Qty	Eng	Trans	Line
11	RAIL, Rear, Left, [STA]	68465979AA	1			J U
12	BOW, Folding Top, Number 2					
12	BOW, Folding Top, Number 2, [STB]	68394519AA	1			J U
12	BOW, Folding Top, Number 2, [STA]	68394519AA	1			J U
13	BOW, Folding Top, Number 3 and 5					
13	BOW, Folding Top, Number 3 and 5, [STB]	68394522AA	1			J U
13	BOW, Folding Top, Number 3 and 5, [STA]	68394522AA	1			J U
13	BOW, Folding Top, Number 3 and 5, [ST2]	68394522AA	1			
14	BOW, Folding Top, Number 4					
14	BOW, Folding Top, Number 4, [STB]	68370935AA	1			J U
14	BOW, Folding Top, Number 4, [STA]	68370935AA	1			J U
15	BOW, Folding Top, Number 3 and 5					
15	BOW, Folding Top, Number 3 and 5, [STB]	68394522AA	1			J U
15	BOW, Folding Top, Number 3 and 5, [STA]	68394522AA	1			J U
15	BOW, Folding Top, Number 3 and 5, [ST2]	68394522AA	1			
16	SCREW, Hex Head, M6x1x15					
16	SCREW, Hex Head, M6x1x15, [STB]	68399007AA	24			J U
16	SCREW, Hex Head, M6x1x15, [STA]	68399007AA	24			J U
16	SCREW, Hex Head, M6x1x15, [ST2]	68399007AA	24			
17	RETAINER KIT, 5 BOW					
17	RETAINER KIT, 5 BOW, [STB]	68370937AA	1			J U
17	RETAINER KIT, 5 BOW, [STA]	68370937AA	1			J U
17	RETAINER KIT, 5 BOW, [ST2]	68370937AA	1			
18	GAS CYLINDER, Soft Top					
18	GAS CYLINDER, Soft Top, Left, [STB]	68398989AA	2			J U
18	GAS CYLINDER, Soft Top, Left, [STA]	68398989AA	2			J U
18	GAS CYLINDER, Soft Top, Left, [ST2]	68398989AA	2			
18	GAS CYLINDER, Soft Top, Right, [STB]	68398990AA	2			J U
18	GAS CYLINDER, Soft Top, Right, [STA]	68398990AA	2			J U
18	GAS CYLINDER, Soft Top, Right, [ST2]	68398990AA	2			
19	COVER, CORNER, SOFT TOP					

Pos	Description	Part Number	Qty	Eng	Trans	Line
19	COVER, CORNER, SOFT TOP, Right, [-00], [STA]	6KH84SX9AF	1			J U
19	COVER, CORNER, SOFT TOP, Left, [-00], [STA]	6KH85SX9AF	1			J U
19	COVER, CORNER, SOFT TOP, Right, [-00], [STB]	6KH88FX9AG	1			J U
19	COVER, CORNER, SOFT TOP, Left, [-00], [STB]	6KH89FX9AG	1			J U
20	END CAP, 5 BOW					
20	END CAP, 5 BOW, Right, [STB]	68465982AA	1			J U
20	END CAP, 5 BOW, Right, [STA]	68465982AA	1			J U
20	END CAP, 5 BOW, Right, [ST2]	68465982AA	1			
20	END CAP, 5 BOW, Left, [STB]	68465983AA	1			J U
20	END CAP, 5 BOW, Left, [STA]	68465983AA	1			J U
20	END CAP, 5 BOW, Left, [ST2]	68465983AA	1			
21	WINDOW, Tailgate					
21	WINDOW, Tailgate, [-00], [STA], [GCD]	6KH86SX9AG	1			J U
21	WINDOW, Tailgate, [-00], [STA]	6LP18SX9AG	1			J U
22	BAG, Storage					
22	BAG, Storage, [CWJ]	68396560AB	1			J U
22	BAG, Storage, [CS2]	68396567AC	1			J U
23	FRAME, Door Glass					
23	FRAME, Door Glass, Right, [STA] OR [STB]	68466058AA	1			J U
23	FRAME, Door Glass, Left, [STA] OR [STB]	68466059AA	1			J U
24	CLAMP, Folding Top, Rail					
24	CLAMP, Folding Top, Rail, Right Front, [STA] OR [STB]	68466054AA	1			J U
24	CLAMP, Folding Top, Rail, Left Front, [STA] OR [STB]	68466055AA	1			J U
24	CLAMP, Folding Top, Rail, Right Rear, [STA] OR [STB]	68466056AA	1			J U
24	CLAMP, Folding Top, Rail, Left Rear, [STA] OR [STB]	68466057AA	1			J U
25	SCREW, M6x1x20, [STA] OR [STB]	68399014AA	1			J U
-26	STRAP, Tie	68252399AA	1			J U
27	FRAME, Door Glass					
27	FRAME, Door Glass, Right, [STA] OR [STB]	68251544AH	1			J U
27	FRAME, Door Glass, Left, [STA] OR [STB]	68251545AH	1			J U
28	MOLDING, Backlite					
28	MOLDING, Backlite, Right	68466078AA	1			
28	MOLDING, Backlite, Right	68466078AA	1			J U
28	MOLDING, Backlite, Left	68466079AA	1			
28	MOLDING, Backlite, Left	68466079AA	1			J U
29	MOLDING, Backlite					

Pos	Description	Part Number	Qty	Eng	Trans	Line
29	MOLDING, Backlite	68466090AA	1			
29	MOLDING, Backlite	68466090AA	1			J U
30	SCREW, Washer Head					
30	SCREW, Washer Head	68466093AA	1			
30	SCREW, Washer Head	68466093AA	2			J U
31	WEATHERSTRIP, Backlite					
31	WEATHERSTRIP, Backlite	68466091AA	1			
31	WEATHERSTRIP, Backlite	68466091AA	1			J U

Property of FCA US LLC