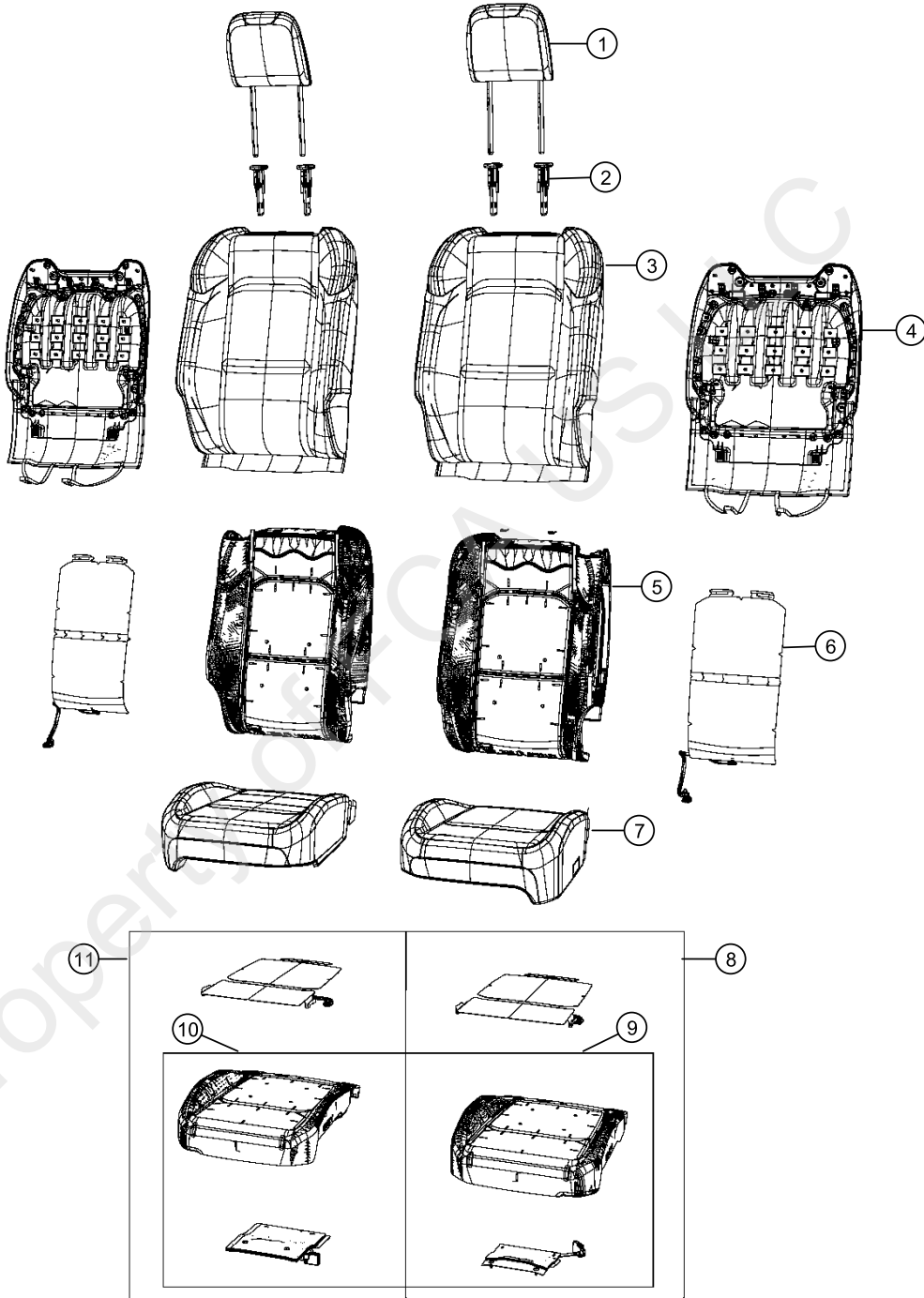


050 - Interior Trim 505.14 - Front Seat, Bucket, Trim Code [PL]

Dealer Comments:



050 - Interior Trim 505.14 - Front Seat, Bucket, Trim Code [PL]

Pos	Description	Part Number	Qty	Eng	Trans	Line
1	HEADREST, Front, [-TA], [X8Z], [C1A]	6AA86SA5AC	1			
2	SLEEVE, Headrest					
2	SLEEVE, Headrest, Locking, [-O0], [X8Z]	6AA76TX7AC	1			
2	SLEEVE, Headrest, Non-Locking, [-O0], [X8Z]	6AA77TX7AD	1			
3	COVER, Front Seat Back					
3	COVER, Front Seat Back, Left, [-TA], [X8Z]	7AS44SA5AB	1			
3	COVER, Front Seat Back, Right, [-TA], [X8Z]	7AS45SA5AB	1			
4	PANEL, Front Seat Back, [-TA], [X8Z]	6CD99TX7AD	1			
5	FOAM, Front Seat Back					
5	FOAM, Front Seat Back, Left, [X8Z]	68368296AA	1			
5	FOAM, Front Seat Back, Right, [X8Z]	68368297AA	1			
6	HEATED PAD, Seat Back, Right or Left, [X8Z], [JPM]	68294073AD	1			
7	COVER, Front Seat Cushion					
7	COVER, Front Seat Cushion, Right, [-TA], [X8Z]	6PU22SA5AA	1			
7	COVER, Front Seat Cushion, Left, [-TA], [X8Z]	6PU23SA5AA	1			
8	MODULE KIT, Driver Presence Detection, Kit Includes Module, Foam, Heat Pad, Hog Rings And I-Sheet, [JPM]	68458186AB	1			
9	MODULE KIT, Driver Presence Detection, Kit Includes Module, Foam, Hog Rings And I-Sheet					
10	MODULE KIT, OCCUPANT CLASSIFICATION, Kit Includes Module, Foam, Hog Rings And I-Sheet					
11	MODULE KIT, OCCUPANT CLASSIFICATION, Kit Includes Module, Foam, Heat Pad, Hog Rings And I-Sheet, [XCA], [JPM]	68458182AB	1			