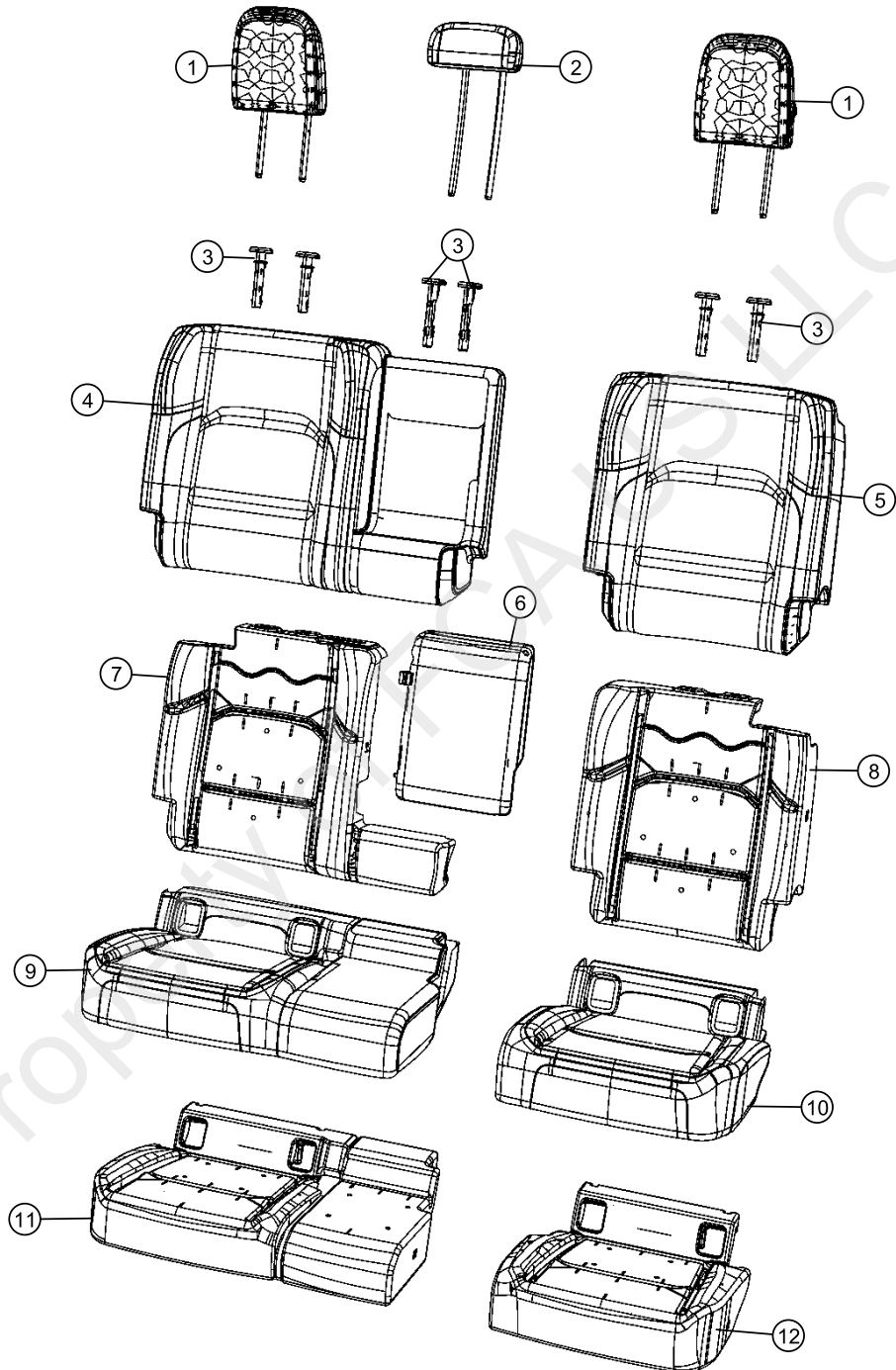


050 - Interior Trim 615.13 - Rear Seat, Split Seat, CSN, Trim Code [PL]

Dealer Comments:



1C6JJTEG7PL589170 2023 JT

050 - Interior Trim 615.13 - Rear Seat, Split Seat, CSN, Trim Code [PL]

Pos	Description	Part Number	Qty	Eng	Trans	Line
1	HEADREST, Rear					
1	HEADREST, Rear, Left, [-X9], [X8Z], [C1A]	6KJ21TX7AC	1			
1	HEADREST, Rear, Right, [-X9], [X8Z], [C1A]	6KJ71TX7AC	1			
2	HEADREST, Rear, [-X9], [X8Z], [C1A]	6KJ23TX7AB	1			
3	SLEEVE, Headrest					
3	SLEEVE, Headrest, Center, Locking, [-O0], [X8Z]	6KJ27TX7AB	1			
3	SLEEVE, Headrest, Center, Non-Locking, [-O0], [X8Z]	6KJ73TX7AB	1			
3	SLEEVE, Headrest, Outboard, [-O0], [X8Z]	6KJ94TX7AB	4			
4	COVER, Rear Seat Back, Right, [-X9], [X8Z]	6YS24CV5AA	1			
5	COVER, Rear Seat Back, Left, [-X9], [X8Z]	6YS25CV5AA	1			
6	ARMREST, REAR SEAT, [-X9], [X8Z], [C1A]	6KJ96TX7AD	1			
7	FOAM, Seat Back, Rear, Right, [X8Z], [CSN]	68347471AA	1			
8	FOAM, Seat Back, Rear, Left, [X8Z]	68339104AA	1			
9	COVER, Rear Seat Cushion, Right, [-X9], [X8Z]	6YS26CV5AB	1			
10	COVER, Rear Seat Cushion, Left, [-X9], [X8Z]	6YS27CV5AB	1			
11	FOAM, Seat Cushion, Rear, Right, [X8Z]	68347469AA	1			
12	FOAM, Seat Cushion, Rear, Left, [X8Z]	68347470AA	1			