

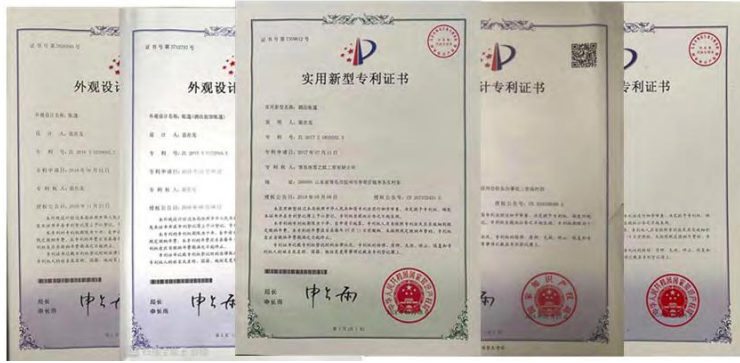


Qingdao New Sunda Industry and Trade Co., Ltd (It is registered by Qingdao Fengxing Outdoors and Camping Co., Ltd for exporting and importing). It is located in Jiaozhou industry of Qingdao city and covers an area of 4000 square meters, with more than 80 employees, we supply 1000 pieces rooftop tent to the market monthly.

Since its inception in 2022, our company has grown to become the largest manufacturer of vehicle tent product in Shandong. An CE certified company, Qingdao New Sunda Industry and Trade Co., Ltd produces a broad and comprehensive range of vehicle tent products and offers industrial services from its facilities all over China.

With over one decades of experience, state of the art manufacturing facilities and the largest production capacity in China, Qingdao New Sunda Industry and Trade Co., Ltd manufactures products to international quality standards and caters to customer demands by ensuring timely delivery and providing exceptional service.

Create an effective solution for your business!



New Sunda-001

ABS Hard Shell Rooftop Tent

Main Features

- ☉ More popular in EU market
- ☉ Ordered by 80% by EU brands
- ☉ The only disadvantage: Can not install roof racks

- ☉ More stable than soft shell tent, and less weight than aluminum shell tent





- ◆ Top layer material: 420D/600D Oxford cloth-5000mm Water proof, UV 50+ proof, and Sunscreen.
- ◆ Body of the Tent: 280g/320g cotton canvas, 8000mm waterproof, UV proof, and sunscreen.
- ◆ ABS Hard Shell: 5.5mm thickness, best quality
- ◆ Bed Plate: 4*5 Aluminum honey comb, not the 6*6 ones or the plastic honey comb, no noise and no collapse.
- ◆ Mattress: 5cm High density sponge, or foam memory, with moisture proof pad
- ◆ Aluminum Telescopic Ladder: 230cm, 260cm, or 290cm
- ◆ 2 Windows, 1 big entrance and 1 skylight window: With ventilation to prevent mosquitoes.
- ◆ 2 Shoes Bag: Could put 4 pairs of shoes.
- ◆ Big size: 210*210*120cm, Dimension 210*120*26cm, 80kgs for 2 adults & 2 children;
Small size: 210*160*120cm, Dimension 160*120*26cm, 73kgs for 2 adults & 1 child.
- ◆ Options: Could come LED Light, Annex room, Awning, Anderson power strip and Heater opening as requested



Bracing pole to prevent water accumulation in raining days



Large space



Comes with heater opening if requested



Anderson power strip if requested



Options for New Sunda-001

Awning, Annex Room, Winter insulation kit for warm keeping, Anderson power strip



New Sunda-002-1

Side Open Aluminum Shell Rooftop Tent

Main Features

- ☉ **Customized size and fabric color are accepted**
- ☉ The only difference with the model 001 is the material of the shell
- ☉ Best Seller Product in the market
- ☉ More durable and stable than ABS shell tent and soft shell tent





- ◆ 420D/600D Oxford cloth-5000mm/6000mm Water proof, UV proof 50+, and Sunscreen.

- ◆ Shell: Aluminum honey comb hard shell

- ◆ Body of the Tent: 280g/320g cotton canvas, 8000mm waterproof, UV proof, and sunscreen.

- ◆ Bed Plate: 4*5 Aluminum honey comb, not the 6*6 ones or the plastic honey comb, no noise and no collapse.

- ◆ Mattress: 5cm High density sponge, or foam memory.

- ◆ Aluminum Telescopic Ladder: 230cm, 260cm, or 290cm

- ◆ 2 Windows, 1 big entrance and 1 skylight window: With ventilation to prevent mosquitoes.

- ◆ 2 Shoes Bag: Could put 4 pairs of shoes.

- ◆ **Customized size is accepted**

Large size:L210*W200*H120cm

Dimension:L200*W120*H26cm,80kgs,for 2 adults&2children

Middle size: L210*W190*H120cm,

Dimension L190*W120*H26cm,82kgs, for 2 adults&2children

Small size: L210*W160*H120cm,

Dimension L160*W120*H26cm,76kgs,for 2 adults & 1 child

- ◆ Options: Heater opening, Power strip, LED Light, Annex room, Awning and cross bar

Designed for family camping.



Could come with heater opening if needed



Bracing pole to prevent water accumulation in raining days



Could come with Anderson power strip if requested



Anderson power strip showing under the back of the plate



Large space with inner pocket and 100cm LED light

More details

Come with roof racks if requested

Optional Accessories: Side Awning , Annex and Winter insulation kit for warm keeping



New Sunda-002-2

Side Open Aluminium Shell Tent with Back Window

- ☉ **Customized size is accepted**
- ☉ The only difference with the model 002-1 is the extra back window
- ☉ Upgraded basic on the model 002-1
- ☉ New Dark House in US market





- ◆ 420D/600DOxford cloth 5000mm Water proof, UV proof 50+, and Sunscreen.
- ◆ Shell: Aluminum honey comb hard shell
- ◆ Body of the Tent: 280g/320g cotton canvas, 8000mm waterproof, UV proof, and sunscreen.
- ◆ Bed Plate: 4*5 Aluminum honey comb, not the 6*6 ones or the plastic honey comb, no noise and no collapse.
- ◆ Mattress: 5cm High density sponge, or foam memory.
- ◆ Aluminum Telescopic Ladder: 230cm, 260cm, or 290cm
- ◆ 2 Side windows, 1 big entrance and 1 skylight and back window: With ventilation to prevent mosquitoes.
- ◆ 2 Shoes Bag: Could put 4 pairs of shoes.
- ◆ Big size: 210*190*120cm, Dimension 190*120*26cm, 86kgs
Small size: 210*160*120cm, Dimension 160*120*26cm,80kgs
- ◆ Options: Annex, Awning, Heater Opening, Power Strip, LED Light

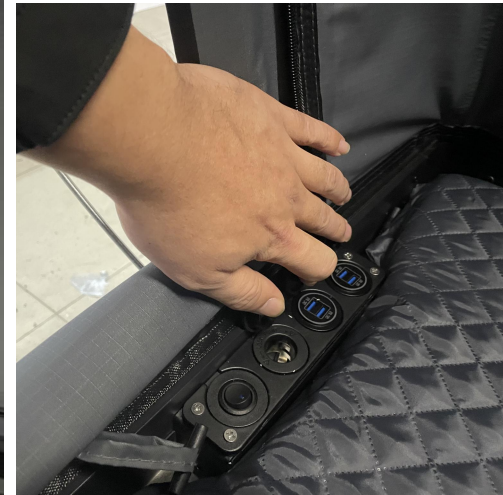
Designed for family camping



More space with **Back Window**, more freedom



Could add **Heater Opening** if requested



Could add **Power Strip** if requested

Optional Accessories: Side Awning, Annex, Roof racks and Winter insulation kit for warm keeping



New Sunda 003

Soft Shell Rooftop Tent

☺ **Customized size is accepted**

☺ The only difference with the model 002 is its soft shell

☺ With its super light weight, popular in Middle East, EU, AU, US and Canada markets

☺ With aluminum bed plate to keep stable and comfortable



NEW SUNDA



The best advantage of this roof top tent is its super low weight and aluminum bed plate. Its made of 4*5 aluminum honey comb. compare with the normal aluminum plate, its durable and comfortable are far better. and it is also UV, discolors proof, it can serve you 10 years.

- ◆ Shell: Soft shell
- ◆ 420D/600D Oxford cloth 5000mm Water proof, UV proof 50+, and Sunscreen
- ◆ Body of the Tent: 280g/320g cotton canvas, 8000mm waterproof, UV proof, and sunscreen.
- ◆ Bed Plate: 4*5 Aluminum honey comb, not the 6*6 ones or the plastic honey comb, no noise and no collapse.
- ◆ Mattress: 5cm High density sponge, or foam memory with moisture proof pad
- ◆ Aluminum Telescopic Ladder: 230cm, 260cm, or 290cm
- ◆ 2 Side windows, 1 big entrance and 1 skylight and back window: With ventilation to prevent mosquitoes.
- ◆ 2 Shoes Bag: Could put 4 pairs of shoes.
- ◆ **Customized size is accepted**
 - ◆ **Large size:** 210*190*120cm, Dimension 190*120*26cm,55kgs
 - ◆ **Small size:** 210*160*120cm, Dimension 160*120*26cm,50kgs
- ◆ Options: Annex, Awning, Heater Opening, Power Strip, LED Light

Designed for family camping



Larger space, more freedom with LED Light



Could add **Heater Opening** if requested



Could add **Power Strip** if requested

Optional Accessories: Side Awning , Annex, Winter insulation kit for warm keeping and Roof racks for luggage carrying

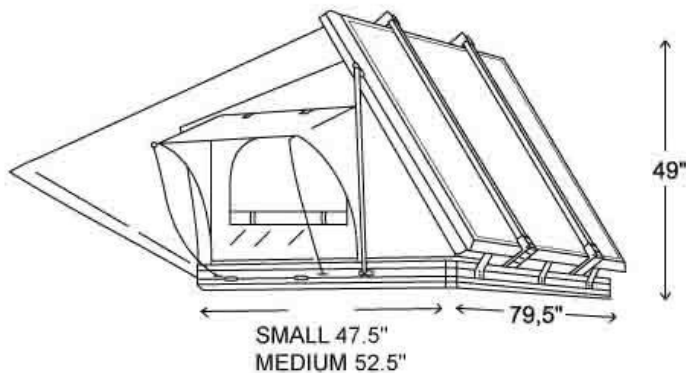


New Sunda-004

Mini Aluminium Hard Shell Roof Tent-Side Open Style

- ☉ Upgraded version style
- ☉ Ordered by 80% European & Middle East Clients
- ☉ Exclusive in one area
- ☉ Designed for lovers
- ☉ Mini style of New Sunda-002





The best advantage of this roof top tent is its mini size, with aluminum hard shell, made of 4*5 aluminum honey comb. compare with the normal aluminum, its durable and water proof performance are far better. and it is also UV, discolors proof, it can serve you 10 years.

There are mounting brackets can be fixed and removed. The bearing capacity can reach 70kg. items like bicycle and luggage can be put on top of the tent. that makes your journey more fun and convenient.

- ◆ 420D/600D Oxford cloth-5000mm Water proof, UV proof 50+, and Sunscreen.
- ◆ Shell:4*5 Aluminum honey comb hard shell
- ◆ Body of the Tent: 280g/320g cotton canvas, 8000mm waterproof, UV proof, and sunscreen.
- ◆ Bed Plate: 4*5 Aluminum honey comb, not the 6*6 ones or the plastic honey comb, no noise and no collapse.
- ◆ Mattress: 5cm or 7cm High density sponge, or foam memory.
- ◆ Aluminum Telescopic Ladder: 230cm, 260cm, or 290cm, thickness 0.7mm
- ◆ 2 Windows, 1 big entrance and 1 sky-window: With ventilation to prevent mosquitoes.
- ◆ Shoes Bag: Could put 2 pairs of shoes.
- ◆ Open System: Automatic
- ◆ Options: Annex room, Awning, Heater Opening, Power Strip, LED Light & Roof racks

Big size: 210*143*100cm,Dimension:210*142*18cm, 78kgs

Normal size:210*130*100cm, Dimension:210*130*18cm,73kgs

Advise 2-3 person





5cm or 7cm mattress depends on your request

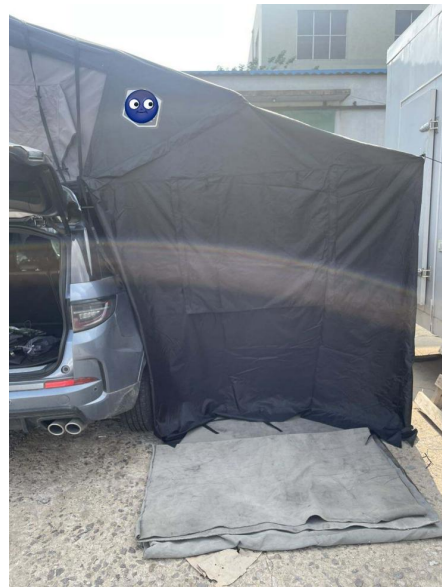


Heater Opening if requested



Power Strip if requested

Optional Accessories: Side Awning ,Annex, Roof racks, and Insulation kit for winter



New Sunda 005-1

**Super Thin&Super Light Weight Triangle
Rooftop Tent**

- ☉ Customized size is accepted
- ☉ Super thin 12cm & super light weight 50kgs
- ☉ Ordered by 80% brands from EU ,Canadian and US





Large layer: 4 Pcs poles extending large top layer for raining days



Small layer: 2 Pcs Poles for concise top layer with air hole



Large window: 2 Pcs Poles for concise top layer with large widows

3 Styles top layer choices are offered as showing above, and the customized styles are also accepted.



The best advantage of this triangle roof top tent is its super thin height (12cm) and super light weight. The bed plate is made of 4*5 aluminum honey comb, comparing with the traditional aluminum honey, its durable and, noiseless and collapse free performance are far better. and it is also UV, discolors proof, it can serve you 10 years.

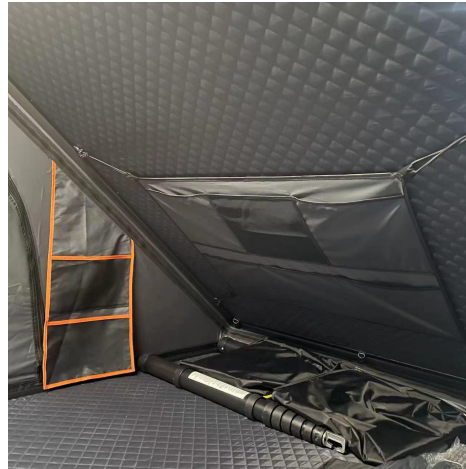
- ◆ 420D/600D Oxford cloth-5000mm Water proof, UV proof 50+, and Sunscreen.
- ◆ Shell: Aluminum honey comb hard shell
- ◆ Body of the Tent: 280g/320g cotton canvas, 8000mm waterproof, UV proof, and sunscreen.
- ◆ Bed Plate: 4*5 Aluminum honey comb, not the 6*6 ones or the plastic honey comb, no noise and no collapse.
- ◆ Mattress: 5cm High density sponge, or foam memory.
- ◆ Aluminum Telescopic Ladder: 230cm, 260cm, or 290cm, thickness 0.7mm
- ◆ 2 Windows, 1 big entrance: With ventilation to prevent mosquitoes.
- ◆ Shoes Bag: Could put 2 pairs of shoes.
- ◆ **Customized size is accepted**
Big size: 210*142*140cm, Dimension 210*142*12cm, 55kgs
Normal size: 210*130*140cm, Packing size: 210*130*12cm, 50kgs
- ◆ Open System: Automatic
- ◆ Option: Heater Opening, LED Light, roof racks, Anderson power strip, awning

Advised 2-3 person





Inner 100cm LED light



Inner pockets



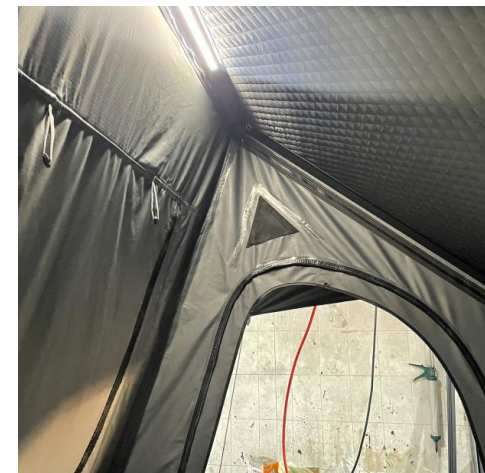
Anderson power strip depends your requirement



8cm Heater opening if requested



Inside showing of the heater opening



Inside showing of the air hole

Options for New Sunda-005-1

Awning, Roof racks, Winter insulation kit for warm keeping, Anderson power strip



New Sunda-005-2

Triangle Aluminum Shell Roof Tent

On Hot Selling

☉ The only difference with the model 005-1 is the weight and the dimension height, model 005-1 comes with super light weight-50kgs & height 12cm

☉ **Customized size is accepted**

☉ Ordered by 80% Australian brands

☉ Ordered by 80% of regular clients





Large layer: 4 Pcs poles extending large top layer for raining days

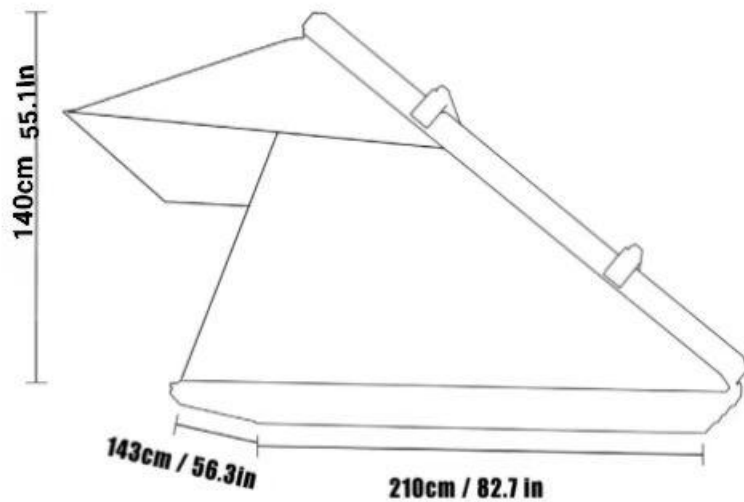


Small layer: 2 Pcs Poles for concise top layer with air hole



Large window: 2 Pcs Poles for concise top layer with large widows

3 Styles top layer choices are offered as showing above, and the customized styles are also accepted.



The best advantage of this triangle roof top tent is aluminum hard shell. Its made of 4*5 aluminum honey comb. compare with the normal aluminum, its durable and water proof performance are far better. and it is also UV, discolors proof, it can serve you 10 years.

There are mounting brackets can be fixed and removed. The bearing capacity can reach 70kg. items like bicycle and luggage can be put on top of the tent. that makes your journey more fun and convenient.

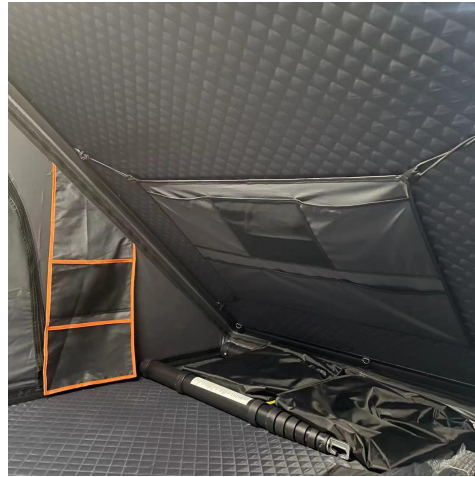
- ◆ 420D/600D Oxford cloth-5000mm Water proof, UV proof 50+, and Sunscreen.
- ◆ Shell:4*5 Aluminum honey comb hard shell
- ◆ Body of the Tent: 280g/320g cotton canvas, 8000mm waterproof, UV proof, and sunscreen.
- ◆ Bed Plate: 4*5 Aluminum honey comb, not the 6*6 ones or the plastic honey comb, no noise and no collapse.
- ◆ Mattress: 5cm or 7cm High density sponge, or foam memory.
- ◆ Aluminum Telescopic Ladder: 230cm, 260cm, or 290cm, thickness 0.7mm
- ◆ 2 Windows, 1 big entrance: With ventilation to prevent mosquitoes.
- ◆ Shoes Bag: Could put 2 pairs of shoes.
- ◆ **Customized is accepted**
Big size: 210*142*140cm, Dimension 210*142*18cm, 71kgs
Normal size: 210*130*140cm, Dimension 210*130*18cm, 65kgs
- ◆ Open System: Automatic
- ◆ Options: Annex room, Awning, Heater Opening, Power Strip, LED Light & Roof racks

Advise 2-3 person





Inner 100cm LED light



Inner pockets



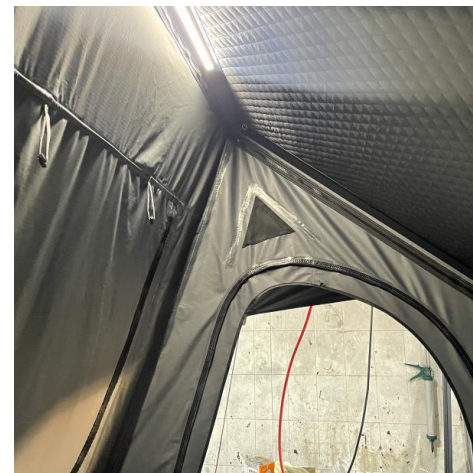
Anderson power strip depends your requirement



8cm
Heater
opening if
requested



Inside
showing
of the
heater
opening



Inside
showing
of the air
hole

Options for New Sunda-005-2

Awning, Roof racks, Winter insulation kit for warm keeping, Anderson power strip



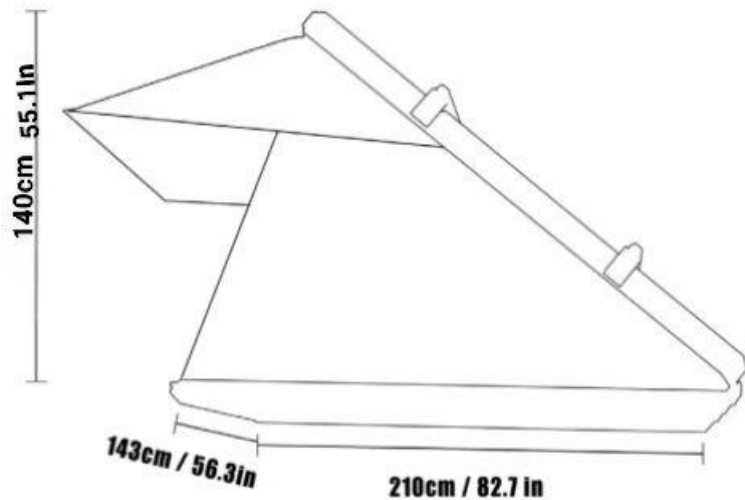
New Sunda-005-3A

Triangle Aluminum Shell Roof Tent with
Back Space

On Hot Selling

- ☉ The only difference with the model 005-2 is the extra back window
- ☉ **Customized size is accepted**
- ☉ With back window, better view and freedom
- ☉ Popular among both young and elder people
- ☉ Ordered by 80% of regular clients





The best advantage of this triangle roof top tent is the back window. It offers you a better view and more space. It is the upgraded style of the model 005-2. The shell is made of 4*5 aluminum honeycomb. Compared with normal aluminum, its durable and waterproof performance are far better, and it is also UV and discoloration proof, it can serve you 10 years.

There are mounting brackets that can be fixed and removed. The bearing capacity can reach 100kg. Items like a bicycle and luggage can be put on top of the tent, that makes your journey more fun and convenient.

- ◆ Shell: Aluminum hard shell
- ◆ Body: 280g/320g cotton canvas with waterproof 8000mm
- ◆ Top layer: 420D/600D Oxford fabric: Waterproof 5000mm, UV50+
- ◆ Bed Plate: 4*5 Aluminum honeycomb, not the 6*6 ones or the plastic honeycomb, no noise and no collapse.
- ◆ Mattress: 5cm/7cm High density sponge, or foam memory
- ◆ Aluminum Telescopic Ladder: 230cm, 260cm, or 290cm, thickness 0.7mm
- ◆ 2 Windows, 1 big entrance: With ventilation to prevent mosquitoes.
- ◆ Shoes Bag: Could put 2 pairs of shoes.
- ◆ **Customized size is accepted**
 Big size: 210*143*140cm, Dimension: 210*143*18cm, 82kgs
 Normal size: 210*130*140cm, Dimension: 210*130*18cm, 78kgs
- ◆ Open System: Automatic
- ◆ Options: Could come with cross bar, LED Light, Annex room, Awning and Anderson power strip

Advise 2-3 person





Inner 100cm LED light



Back window, more freedom



Anderson power strip depends your requirement



8cm
Heater
opening
if
requested



Inside
showing
of the
heater
opening



Inside
showing of
the air hole

Options for New Sunda-005-3A

Awning, Roof racks, Winter insulation kit for warm keeping, Anderson power strip

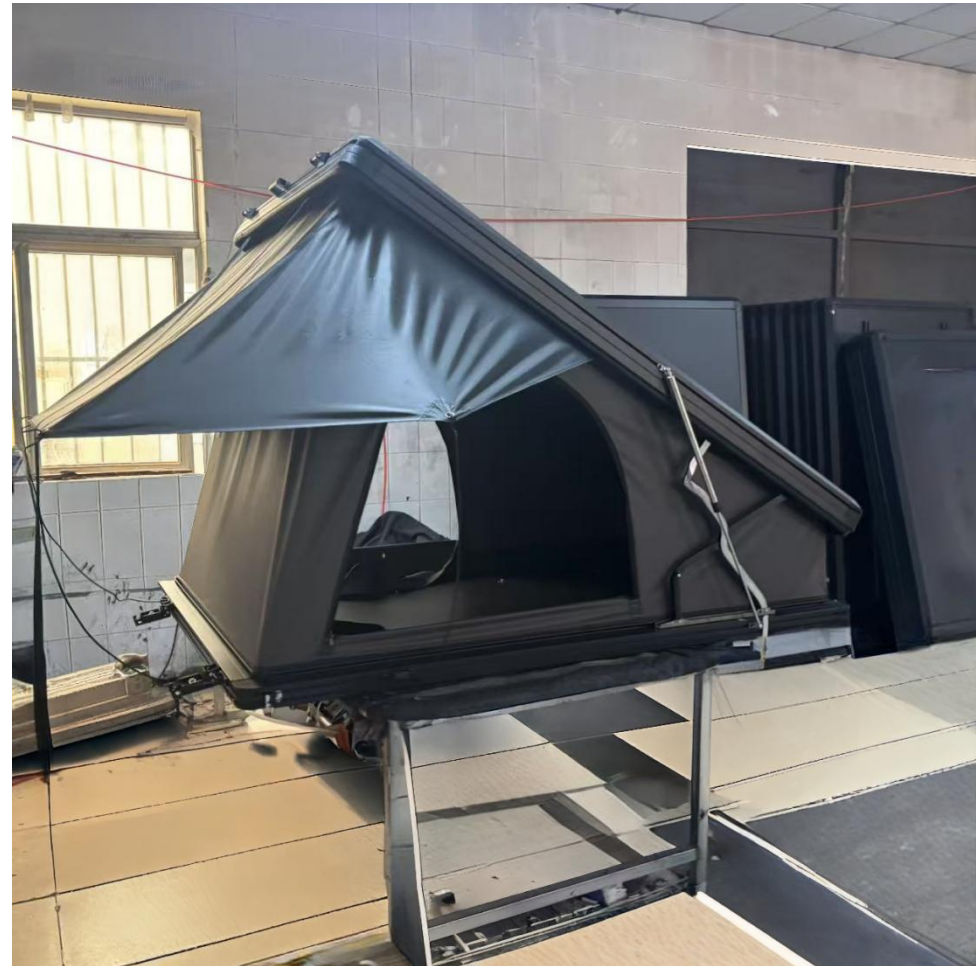


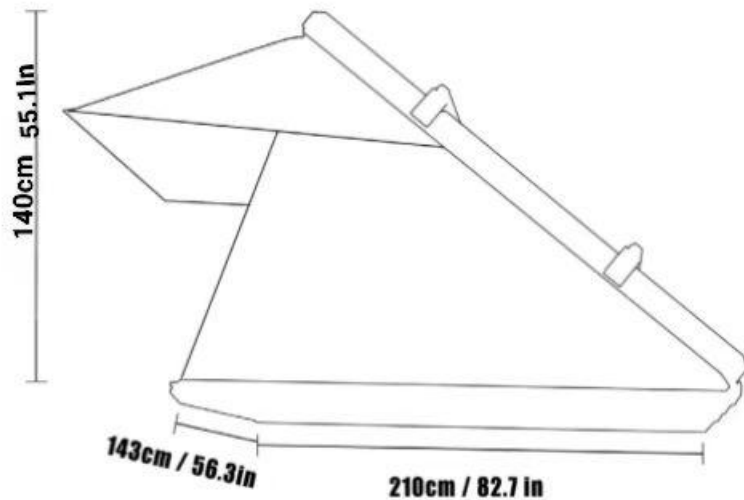
New Sunda-005-3B

**Triangle Aluminum Shell Roof Tent with
Back Space**

On Hot Selling

- ☺ **Customized size is accepted**
- ☺ The only difference with the model 005-3A is the extra outside X rod (005-3A with the X rod inside of the tent)
- ☺ With back window, better view and freedom
- ☺ Popular among both young and elder people
- ☺ Ordered by 80% of regular clients





The only difference with the model 005-3A is the X hydraulic rod, we upgrade the rod outside of the tent, the tent is more stable and has more space. The shell is made of 4*5 aluminum honey comb. compare with the normal aluminum, its durable and water proof performance are far better. and it is also UV, discolors proof, it can serve you 10 years.

There are mounting brackets can be fixed and removed. The bearing capacity can reach 100kg. items like bicycle and luggage can be put on top of the tent. that makes your journey more fun and convenient.

- ◆ Shell: Aluminum hard shell
- ◆ Body: 280g/320g cotton canvas with water proof 8000mm
- ◆ Top layer: 420D/600D Oxford fabric:Waterproof 5000mm, UV50+
- ◆ Bed Plate: 4*5Aluminum honey comb, not the 6*6 ones or the plastic honey comb, no noise and no collapse.
- ◆ Mattress: 5cm/7cm High density sponge, or foam memory
- ◆ Aluminum Telescopic Ladder: 230cm, 260cm, or 290cm, thickness 0.7mm
- ◆ 2 Windows, 1 big entrance: With ventilation to prevent mosquitoes.
- ◆ Shoes Bag: Could put 2 pairs of shoes.
- ◆ **Customized size is accepted**
Big size: 210*143*140cm, Dimension:210*143*18cm,82kgs
Normal size: 210*130*140cm, Dimension: 210*130*18cm, 78kgs
- ◆ Open System: Automatic
- ◆ Options: Could comes with cross bar, LED Light, Annex room, Awning and Anderson power strip

Advise 2-3 person



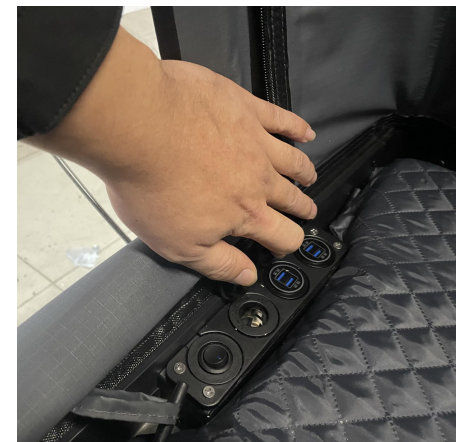
Back window, more freedom



Inner 100cm LED light



Heater opening if needed



Anderson power strip if needed

Options for New Sunda-005-3B

Awning, Roof racks, Winter insulation kit for warm keeping, Anderson power strip

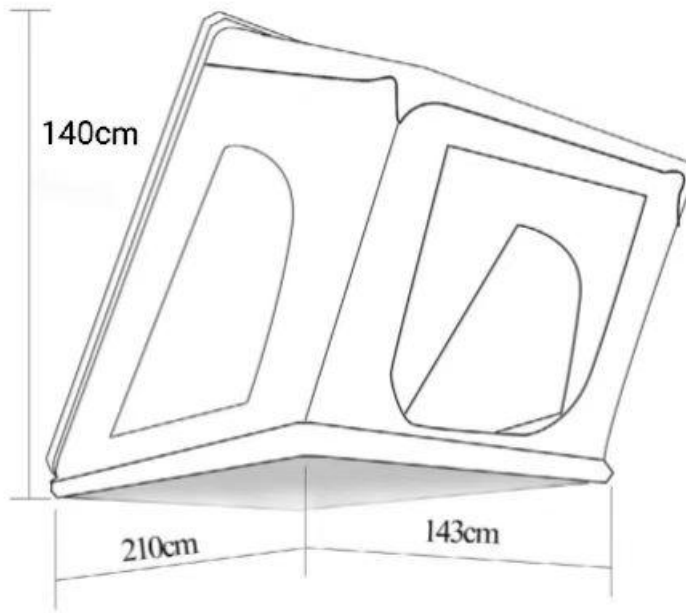


New Sunda 006-1

**Super Light & super light
weight Triangle Rooftop Tent
Plus with Sky Window
On Hot Selling**

- ☉ Super thin 12cm height & super light 50kgs
- ☉ Customized size is accepted
- ☉ Ordered by 80% of EU brands
- ☉ Popular among both young and elder people
- ☉ Advised 2-3 People





The best advantage of this style roof top tent is its super thin height (12cm) and super light weight (50kgs). It serves you more portable camping. This style is more and more popular in EU market.

The bed plate is made of 4*5 aluminum honey comb, comparing with the traditional aluminum honey, its durable and, noiseless and collapse free performance are far better. and it is also UV, discolors proof, it can serve you 10 years.

- ◆ Shell: 4*5 Aluminum honey comb hard shell
- ◆ Body: 280g/320g cotton canvas body with 8000mm waterproof UV 50+
- ◆ Top layer: 420D/600D Oxford cloth with waterproof 5000mm, UV50+
- ◆ Bed Plate: 4*5 Aluminum honey comb, not the 6*6 ones or the plastic honey comb, no noise and no collapse.
- ◆ Mattress: 5cm High density sponge, or foam memory
- ◆ Aluminum Telescopic Ladder: 230cm, 260cm, or 290cm, thickness 0.7mm
- ◆ 2 Windows, 1 big entrance: With ventilation to prevent mosquitoes.
- ◆ Shoes Bag: Could put 2 pairs of shoes.
- ◆ **Customized size is accepted**
Big size: 210*143*140cm, Dimension: 210*143*12cm, 55kgs
Normal size: 210*130*140cm, Dimension: 210*130*12cm, 50kgs
- ◆ Open System: Automatic
- ◆ Options: Could come with cross bar, LED Light, awning, and Power strip

Advise 2-3 person



Large layer: 4 Pcs poles extending large top layer for raining days



Small layer: Concise top layer with air hole



Large window: 2 Sides large windows with air hole

3 Styles top layer design choices are offered as showing above, and the customized styles are also accepted.





Inner side showing

5cm mattress with moisture proof pad

Heater Opening be added if requested

Power strip could be added if requested

Options for New Sunda-006-1

Awning, Roof racks, Winter insulation kit for warm keeping, Anderson power strip



New Sunda-006-2

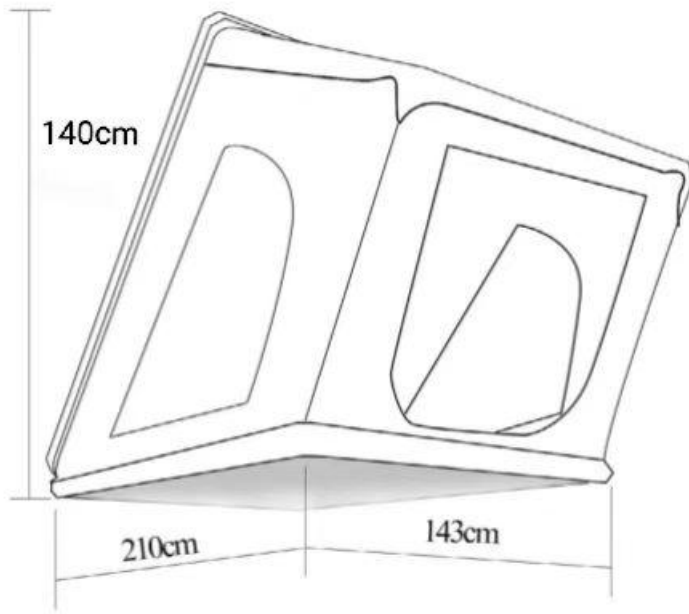
Triangle Rooftop Tent Plus with Sky

Window

Main Features

- ☉ The only difference with the model 006-1 is the weight and the dimension height, 006-2 is more stable
- ☉ **Customized size is accepted**
- ☉ Ordered by 80% Australian brands
- ☉ Ordered by 80% of regular clients





The only different with the model 006-1 is the dimension height and weight, model 006-2 is more stable than 006-1.

The bed plate is made of 4*5 aluminum honey comb, comparing with the traditional aluminum honey, its durable and, noiseless and collapse free performance are far better. and it is also UV, discolors proof, it can serve you 10 years.

- ◆ Shell: 4*5 Aluminum honey comb hard shell
- ◆ Body: 280g/320g cotton canvas body with 8000mm waterproof UV 50+
- ◆ Top layer: 420D/600D Oxford cloth with waterproof 5000mm, UV50+
- ◆ Bed Plate: 4*5 Aluminum honey comb, not the 6*6 ones or the plastic honey comb, no noise and no collapse.
- ◆ Mattress: 5cm/7cm High density sponge, or foam memory
- ◆ Aluminum Telescopic Ladder: 230cm, 260cm, or 290cm, thickness 0.7mm
- ◆ 2 Windows, 1 big entrance: With ventilation to prevent mosquitoes.
- ◆ Shoes Bag: Could put 2 pairs of shoes.
- ◆ **Customized size is accepted**
 Big size: 210*143*140cm, Dimension: 210*143*18cm, 73kgs
 Normal size: 210*130*140cm, Dimension: 210*130*18cm, 68kgs
- ◆ Open System: Automatic
- ◆ Options: Could comes with cross bar, LED Light, awning, and Power strip

Advise 2-3 person



Large layer: 4 Pcs poles extending large top layer for raining days



Small layer: Concise top layer with air hole



Large window: 2 Sides large widows with air hole

3 Styles top layer design choices are offered as showing above, and the customized styles are also accepted.



Inner side showing



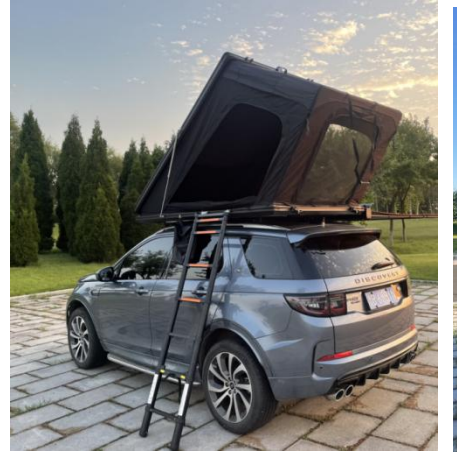
5cm mattress with moisture proof pad



Heater Opening be added if requested



Power strip could be added if requested



Options for New Sunda-006-2

Awning, Roof racks, Winter insulation kit for warm keeping, Anderson power strip



New Sunda 006-3A

Upgraded Aluminum Shell Roof Tent with Large Layer & Back Window

Main Features

- ☉ The only difference with the model 006-2 is the extra back window
- ☉ Customized size & color are accepted
- ☉ Wider view with back window
- ☉ Popular among both young and elder people
- ☉ Could connect with side awing and annex





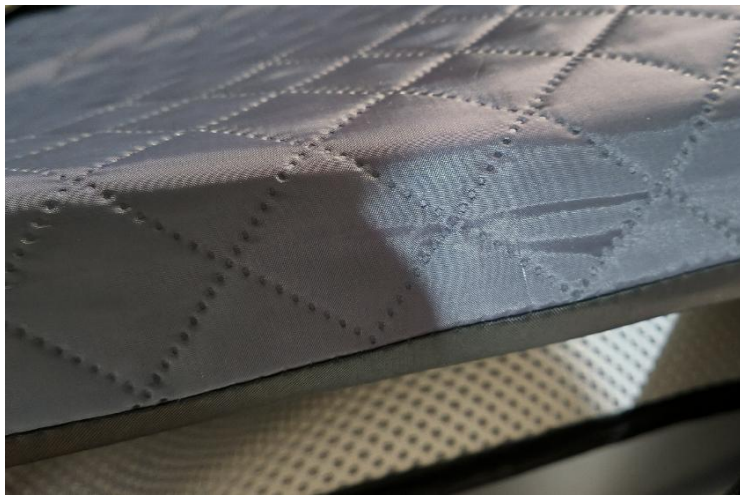
The only difference with the model 006-2 is the extra back window. The best advantage of this roof top tent is also the back window. It could bring you wider vision of the nature. Both the shell and the bed plate are made of 4*5 aluminum honey comb, compare with the normal aluminum, its durable and water proof performance are far better. and it is also UV, discolors proof, it can serve you 10 years and less headache quality problems for after-sale services.

There are mounting brackets can be fixed and removed. The bearing capacity can reach 50kg. items like bicycle and luggage can be put on top of the tent. that makes your journey more fun and convenient.

- ◆ Shell: Aluminum hard shell
- ◆ 280g/320g cotton canvas body with 420D/600D Oxford fabric layer
- ◆ Waterproof 8000mm, UV50+
- ◆ Bed Plate: 4*5 Aluminum honey comb, not the 6*6 ones or the plastic honey comb, no noise and no collapse.
- ◆ Mattress: 5cm/7cm High density sponge, or foam memory
- ◆ Aluminum Telescopic Ladder: 230cm, 260cm, or 290cm, thickness 0.7mm
- ◆ 2 Windows, 1 big entrance: With ventilation to prevent mosquitoes.
- ◆ Shoes Bag: Could put 4 pairs of shoes with 2 pieces shoes bags
- ◆ **Customized size is accepted**
Big size: 210*143*143cm, Dimension:210*143*18cm,82kgs
Normal size: 210*130*143cm, Dimension: 210*130*18cm, 78kgs
- ◆ Open System: Automatic
- ◆ Options: Could come with cross bar, LED Light, Annex room, Awning, Heater opening and Power strip as requested

Advised 2-3 person





5cm or 7cm mattress to meet your requirements



Heater opening could be added if requested



Power strip could be added if requested

Options for New Sunda-006-3A

Awning, Roof racks, Winter insulation kit for warm keeping, Anderson power strip



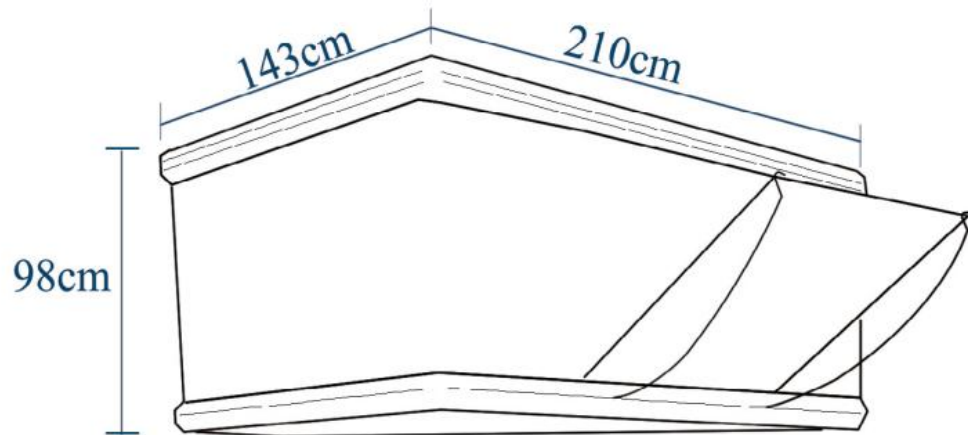
New Sunda-007

Rooftop Tent Box

Main Features

- ☉ Customized size and color are accepted
- ☉ More popular in Japan market



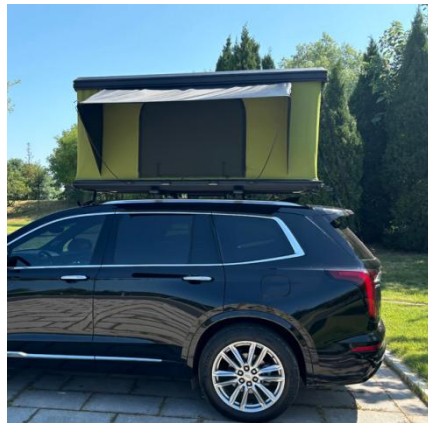


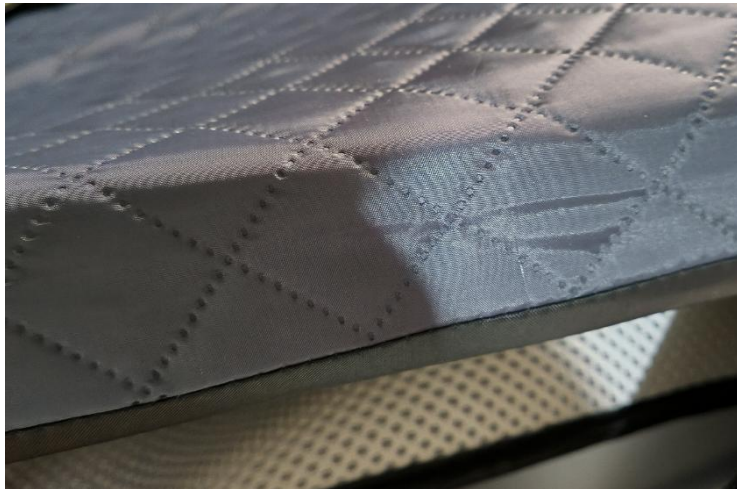
The best advantage of this roof top tent is aluminum hard shell. Its made of 4*5 aluminum honey comb. compare with the normal aluminum, its durable and water proof performance are far better. and it is also UV, discolors proof, it can serve you 10 years.

There are mounting brackets can be fixed and removed. The bearing capacity can reach 70kg. items like bicycle and luggage can be put on top of the tent. that makes your journey more fun and convenient.

- ◆ 420D/600D Oxford cloth-5000mm Water proof, UV proof, and Sunscreen.
 - ◆ Shell: 4*5 Aluminum honey comb hard shell
 - ◆ Body of the Tent: 280g/320g cotton canvas, 8000mm waterproof, UV proof, and sunscreen.
 - ◆ Bed Plate: 4*5 Aluminum honey comb, not the 6*6 ones or the plastic honey comb, no noise and no collapse.
 - ◆ Mattress: 5cm or 7c, High density sponge, or foam memory.
 - ◆ Aluminum Telescopic Ladder: 230cm, 260cm, or 290cm, thickness 0.7mm
 - ◆ 2 Windows and 2 big entrances: With ventilation to prevent mosquitoes.
 - ◆ Shoes Bag: Could put 2 pairs of shoes
 - ◆ Open System: Automatic
 - ◆ Options: Could come with cross bar, LED Light, Annex room, Awning, Heater opening and Power strip as requested
 - ◆ Customized size could be accepted
 - ◆ Customized size could be accepted
- Big size: 210*142*100cm, Dimension 210*142*18cm, 80kgs
 Normal size: 210*130*100cm, Dimension: 210*130*18cm, 75kgs

Advise 2-3 person





5cm and 7cm Mattress to meet your requirements



Heater opening could be added if requested



Power strip could be added if requested

Options for New Sunda-007

Awning, Roof racks, Winter insulation kit for warm keeping, Anderson power strip

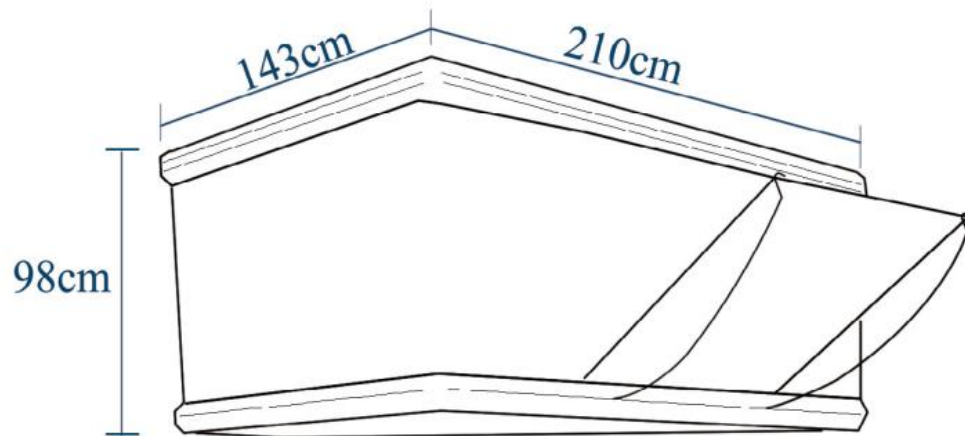


New Sunda-008 Z Style Rooftop Tent

Main Features

- ☉ Could be used as **2 styles**: Straight up tent box & Triangle style tent
- ☉ Customized size and color are accepted
- ☉ More durable and stable than model 007
- ☉ Latest style in the market





The best advantage of this roof top tent is its Double styles usage as roof tent box and triangle tent to make it be the latest tent int the market. The shell and bed plate are both made of 4*5 aluminum honey comb. Compare with the normal aluminum and ‘one tent one style’, its durable and water proof performance are far better. and it is also UV, discolors proof, it can serve you 10 years, and also the latest style in the market.

There are mounting brackets can be fixed and removed. The bearing capacity can reach 50kg. items like bicycle and luggage can be put on top of the tent. that makes your journey more fun and convenient.

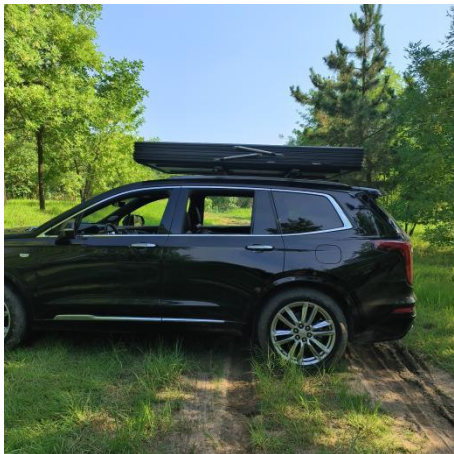
- ◆ 420D/600D Oxford cloth-4000mm Water proof, UV proof, and Sunscreen.
- ◆ Shell: 4*5 Aluminum honey comb hard shell
- ◆ Body of the Tent: 280g/320g cotton canvas, 2000mm waterproof, UV proof, and sunscreen.
- ◆ Bed Plate: 4*5 Aluminum honey comb, not the 6*6 ones or the plastic honey comb, no noise and no collapse.
- ◆ Mattress: 5cm or 7c,High density sponge, or foam memory.
- ◆ Aluminum Telescopic Ladder: 230cm, 260cm, or 290cm, thickness 0.7mm
- ◆ 2 Windows and 2 big entrances: With ventilation to prevent mosquitoes.
- ◆ Shoes Bag: Could put 2 pairs of shoes
- ◆ Open System: Automatic
- ◆ Options: Could come with cross bar, LED Light, Heater opening and Power strip as requested

Customized size is accepted

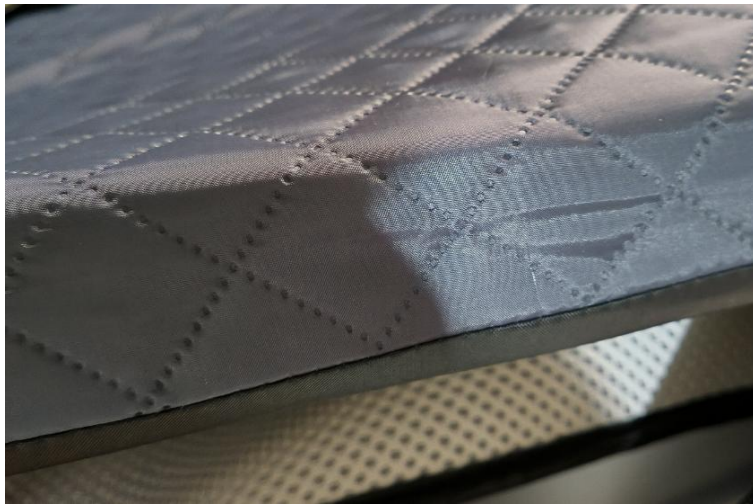
Big size:210*142*100cm,Dimension 210*142*18cm,82kgs

Normal size:210*130*100cm, Dimension:210*130*18cm,77kgs

Advise 2-3 person



Z Style Rooftop Tent could be used as 2 styles: Straight up tent & Triangle style tent



5cm and 7cm Mattress to meet your requirements



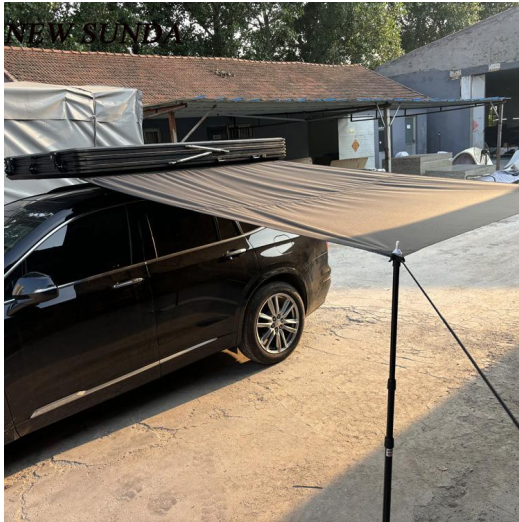
Heater opening could be added if requested







Power strip could be added if requested

Options for New Sunda-008






Awning, Roof racks, Winter insulation kit for warm keeping, Anderson power strip


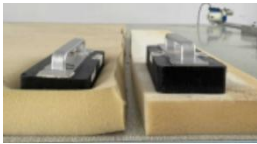








Customization Instructions about the Rooftop Tent

Logo Customization	Printed on tent fabric		5 Pieces or above-Free cost
	Printed on tent shell		Need meet 10 Pieces tents minimum order
	Printed on package carton		Need meet 10 Pieces tents minimum order
Tent Customization	Tent fabric color	Acceptable	The minimum order is 35pcs tents, the price depends on the buyer's demands. Normally takes 40 days.
	Style of the tent	Acceptable	The minimum order is 35pcs tents, the price depends on the buyer's demands.
	Tent size	Acceptable	The minimum order is 10 pieces tents, the price depends on the buyer's demands.
Fabric of the inner Shell Customization	The inner fabric pasted on the inner shell of the tent		The minimum order is 35pcs tents, the price depends on the buyer's demands.

Main Material of the Rooftop Tent

Material	Specification	Picture	Waterproof	UV	Color
Body fabric of the tent	320g Rip-stop cotton canvas		8000mm	80+	Customization is accepted (Black and gray is the stock color)
	280g Rip-stop cotton canvas		4000mm	50+	Customization is accepted (Black, gray, light green, yellow are the stock color)
	Other fabric materials	We accept customized fabric and color			Customization is accepted
Top layer of the tent	420D Oxford		2000mm	30+	Customization is accepted (Black and gray is the stock color)
	600D Oxford		4000mm	50+	Customization is accepted (Black and gray is the stock color)
	Other fabric materials	We accept customized fabric and color			Customization is accepted
Shell of the tent	4*5 Aluminum honey comb		4*5 Aluminum honey comb hard shell, the thickness is 96mm		

Bed plate of the tent	4*5 Aluminum honey comb		Not the 4*4 one, or 6*6 ones, or plastic ones, no noise, no collapse
Mattress	We use right side high support sponge		5cm or 7cm thickness to meet your requirement
	Memory sponge		5cm or 7cm thickness to meet your requirement
Mattress cover	Terylene		Most popular material in the market at present
	Other materials	We accept customized fabric and color Customization accepted	
Moisture proof pad under the mattress	Moisture proof pad		It could paste on the bed plate, one of the most popular style in the market
Hydraulic rod	Black color		Be used on the side open tent and super thin tent
	White color		Be used on all styles tents, except side open tent and super thin tent
	Staebroos	The minimum order is 100 pcs tents. Normally takes 20 days to order it	
Light	LED Light		100cm long, and 3-color changing

New Sunda-009

Car Rooftop Water Tank





- ◆ Full aluminum water tank
- ◆ After washed could fill in drink water
- ◆ Three sizes

Normal size:

Net weight:9.3kgs

Size:146*18*12cm

Capacity: 30L, (The weight with water is 39.3kgs)

Material: Aluminum

Water pipe connector material: Brass/stainless steel

PSI(Max):450kpa

Application bar range:65 to 130cm

Large size:200*18*12cm, 40L, 12.8kgs

Small size: 100*18*12cm, 20L, 6.5kgs

Customized services accepted



New Sunda-010

Car Side Shower Tent

Customized services accepted

- ☉ Open size 200*120*120cm
Packing size 120*13*15cm
- ☉ High quality aluminum material
- ☉ 420D Oxford cloth material





Our Core Team



MR Sun Jin

★10 Years working experience in G.M as Engineer

★5 Years working experience in Outdoor Camping-Rooftop Tent as Designer



Miss Villa Zhaojing

★7Years overseas work & life as Senior Project

Manager to know your requirements far better

★5Years Major Customer Manager in Outdoor Camping industry -Rooftop Tent could serve you better



Miss Weenie Wang

★6Years working experience as After Sale Service Manager for overseas market

★4Years working experience as After Sale Service Manager in Outdoor Camping industry



Packing and Shipping



Sample order advise coming with protective wooden box



Container order comes with carton box

Maybe our product is not the cheapest one in the market, but we are a company that could make you get sleep in night when you give the order to us. Cause we never leave the headache quality problems to our clients.

And we accept VISUAL PRODUCTION, so the quality and everything are under control. Welcome your visit. Thank you.

Qingdao New Sunda Industry and Trade Co., Ltd

Address: NO.616 of Lanzhou Road, Jiaozhou Indstry Area, Jiaozhou City, Qingdao, China.

Email: new_sunda@163.com, Website: <https://qdxsd.en.alibaba.com/>

TEL: +8618663994065, Whats App: +8618663994065

E-mail: new_sunda@163.com

Facebook: xu.zhaojing777@gmail.com

Linked-in: www.linkedin.com/in/zhaojing-xu