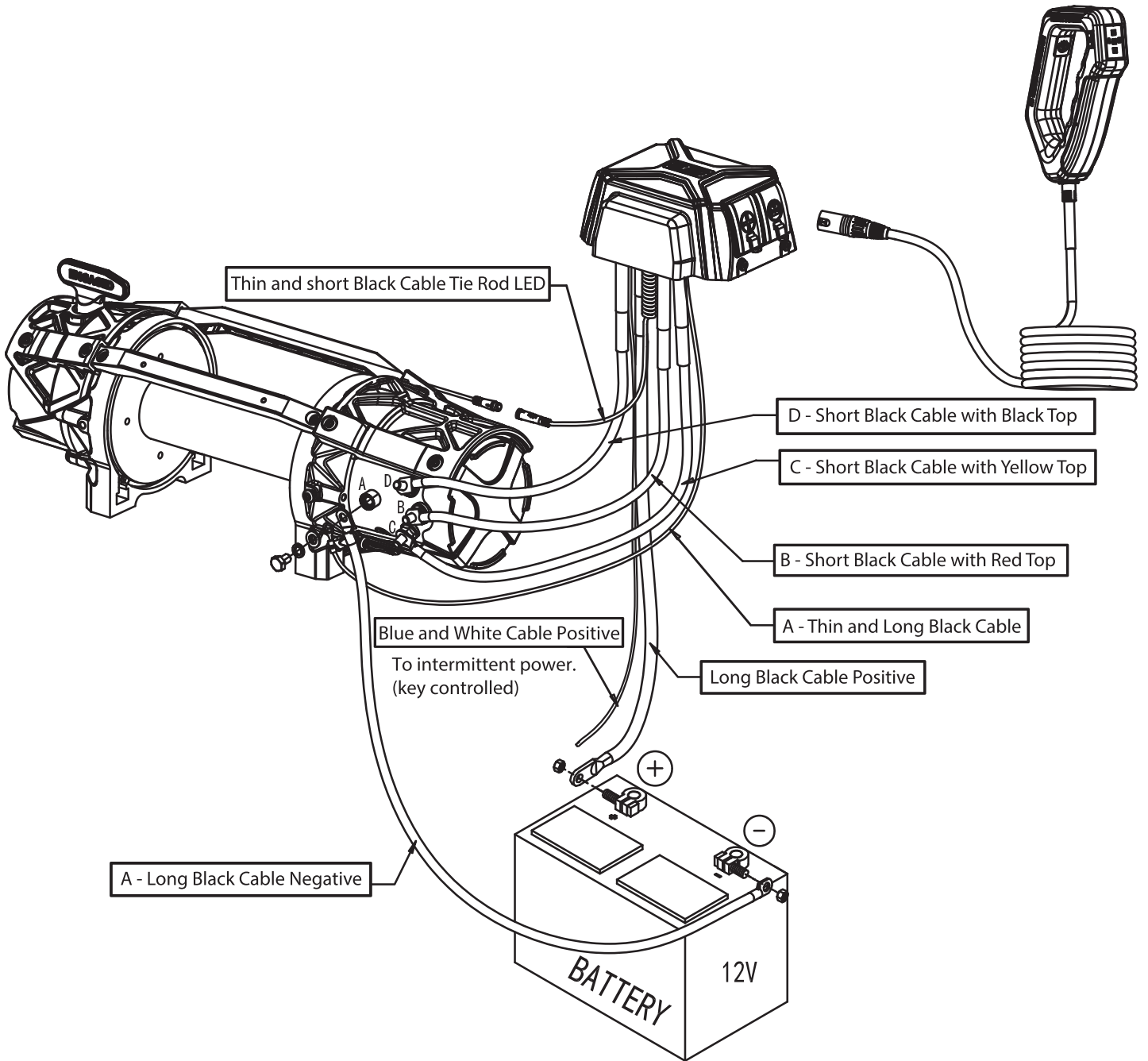


Electrical Connections



WARNING: Do not alter, change or amend winch wiring/connections. Doing so can cause property or bodily injury and voids warranty.